

Islandaire EZ Series EC is a replacement for the Singer and McQuay models of C/EC units. Our commercial duty construction with heavy gauge galvanized steel and superior components create an efficient, reliable unit. This design eliminates the need for any interior or exterior renovation. Use of the existing wall sleeve-cabinet and louver saves time and money, two very important factors in today's competitive environment! If the need does occur where the wall sleeve-cabinet and/or louver needs to be replaced, we manufacture these accessories. Mounted controls are auto change over.

FEATURES

- Proudly Assembled in the U.S.A.
- Superior Energy Efficiency Ratios (EERs)
- Commercial Duty Construction with Heavy Gauge Galvanized Steel
- Designed for exact replacement of existing sleeve opening
- Energy Efficient Rotary Compressors
- P.S.C. Evaporator and Condenser Motors
- High-Efficiency Refrigeration Coils Used to Provide Superior Heat Transfer
- Units Available as Cooling only, Cooling with Electric Heat, Cooling with Hydronic Heat, or Heat Pumps
- Custom Options Available
- Available with wired and wireless wall thermostats
- NYC MEA Number 358-93-E Vol. II



Voltage/Line Cord
4 - 208/230v, Hard Wire
8 - 277v, Hard Wire

Model Type
EC - Singer C/EC

Cooling Capacity
25 - 24,000 BTU
30 - 30,000 BTU

Component
EZ - Cooling Chassis
CB - Control Box
HS - Heat Section

System Type
K - Std. Chassis R32
L - Heat Pump R32

Hydronic Options
1 - None
2 - 24v NC Valve
4 - 230v NC Valve
5 - 277v NC Valve
6 - 24v NO Valve
8 - 230v NO Valve
9 - 277v NO Valve

Functional Options	Functional Option Codes*
B - Motorized Fresh Air Damper	B - B
D - Indoor Freeze Protect	L - BD

*Codes are entered into model number.

Identity Code
0 - Special
4 - Standard

EZ 30 L 4 EC G 1 N 1 4 A B

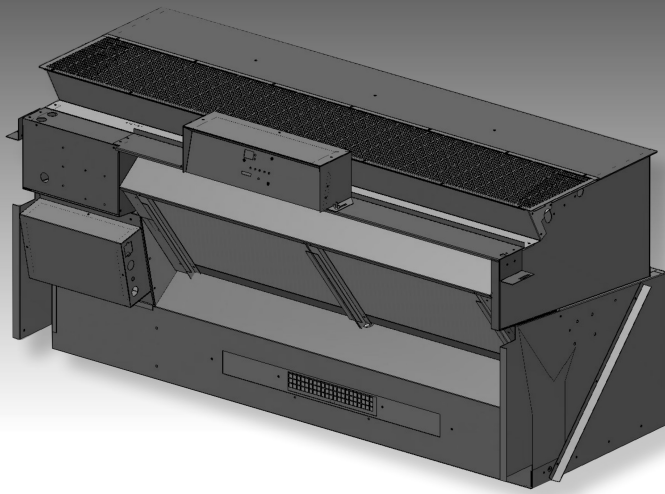
Heating Options
A - None Cooling Only
E - 5.0 kW Elec. Heat (208v - 277v)
F - Hyd. Fan Cycle W/T-Stat (115v - 277v)
G - Hyd. With Aquastat (115v - 277v)
L - 7.2 kW Elec. Heat (208v - 277v)
M - 10.0 kW Elec. Heat (208v - 277v)

Room Controls
E - Wireless Thermostat (specify type when ordering)
K - None
N - Wall Thermostat Interface, Std. Elect. Cntrls
S - Std. Electronic Controls (Unit Mounted)

Return/Discharge Options
1 - Bot. Ret./Top Dis.

Power Mgt. Options
A - None

*Specifications are subject to change due to ongoing product development.



MODELS				
	EZ25		EZ30	
VOLTS	208 / 230	277	208 / 230	277
BTUH COOL	23,000 / 23,000	24,000	27,500 / 27,500	27,500
AMPS COOL	13.99 / 12.59	13.30	15.94 / 14.50	13.30
WATTS COOL	2,910 / 2,895	3,685	3,315 / 3,335	3,685
EER	7.9 / 7.9	6.51	8.3 / 8.3	7.46
CFM HIGH	600	600	600	600
CFM LOW	525	525	525	525
BTUH HEAT	20,500 / 20,500	20,500	25,200	25,200
WATTS HEAT	2,405 / 2,405	2,405	2,955 / 2,955	2,955
COP	2.5 / 2.5	2.5	2.5	2.5

Heating Option	Voltage (l)	Wattage	BTU/h	Amps (2)
E	208	4,090	14,000	19.66
	230	5,000	17,100	21.74
	277	5,000	17,100	18.05
L	208	5,890	20,100	28.31
	230	7,200	24,600	31.30
	277	7,200	24,600	25.99
M	208	8,180	27,900	39.32
	230	10,000	34,100	43.48
	277	10,000	34,100	36.10

(1) Voltage is Single Phase, Alternating Current and R.M.S.

(2) Amp values are for heater element only.

* CFM values are dry coil (not in cooling mode).

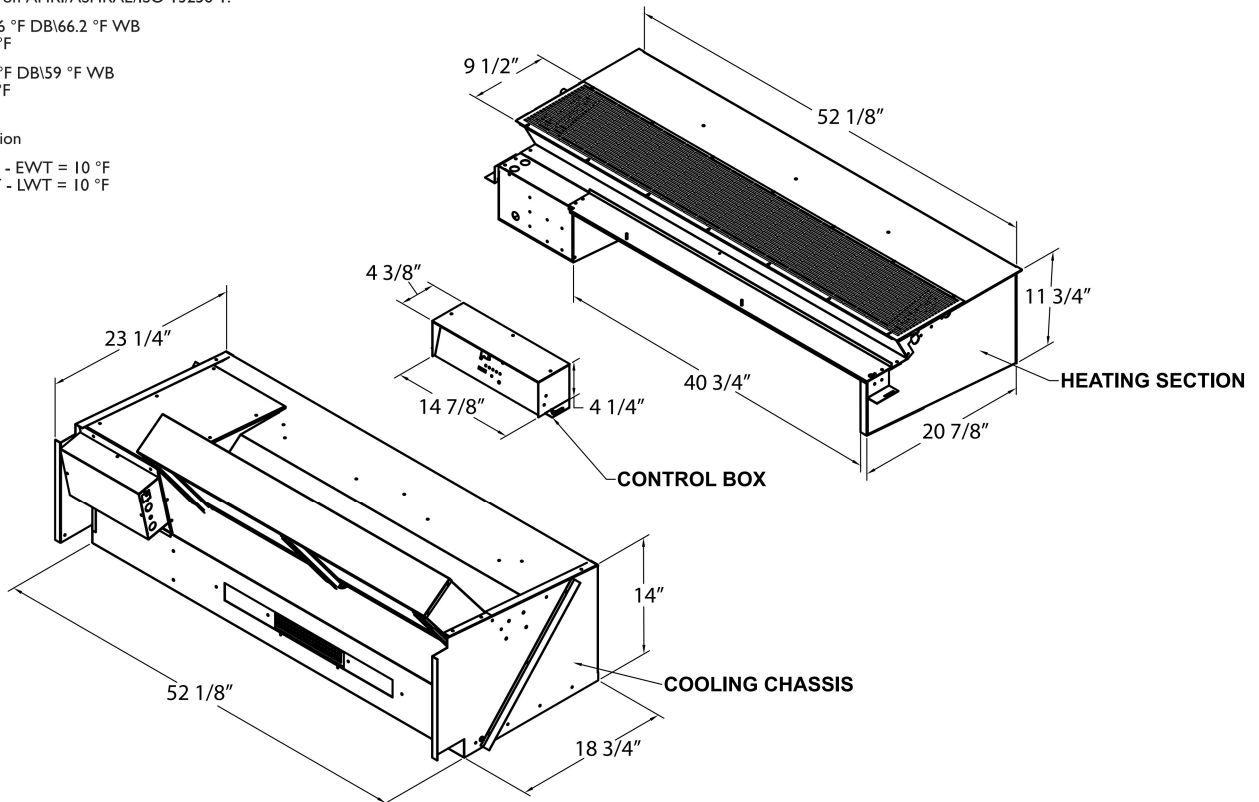
Notes: Data based on AHRI/ASHRAE/ISO 13256-1:

Cooling (EAT): 80.6 °F DB/66.2 °F WB
Cooling (EWT): 86 °F

Heating (EAT): 68 °F DB/59 °F WB
Heating (EWT): 68 °F

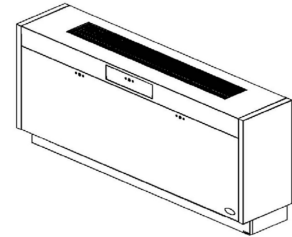
Water Loop Operation

Cooling LWT - EWT = 10 °F
Heating EWT - LWT = 10 °F



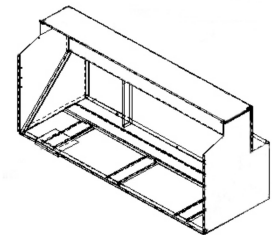
ENCLOSURES

PART NUMBER	DESCRIPTION	APPROX WT.	DIMENSIONS		
			DEPTH	WIDTH	HEIGHT
4080281	EZEC Enclosure Assembly, 70 x 25 x 15	40 lbs.	15.000"	70.000"	25.000"
4080590	EZEC Enclosure Assembly, 70 x 33 x 15	40 lbs.	15.000"	70.000"	33.000"
4081531	EZEC Enclosure Assembly, Filler	10 lbs.	6.000"	70.080"	28.000"



PANELS/WALL SLEEVES

PART NUMBER	DESCRIPTION	APPROX WT.	DIMENSIONS		
			DEPTH	WIDTH	HEIGHT
2400130	EZEC Wall Sleeve Assembly	34 lbs.	19.580"	54.500"	27.345"



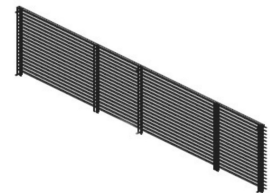
HYDRONIC OPTIONS

PART NUMBER	DESCRIPTION	APPROX WT.	DIMENSIONS		
			DEPTH	WIDTH	HEIGHT
6030087	EZEC Hydronic Coil, Serpentine	10 lbs.	1.125"	49.450"	6.000"



LOUVERS/GRILLES

PART NUMBER	DESCRIPTION	APPROX WT.	DIMENSIONS		
			DEPTH	WIDTH	HEIGHT
6070169	EZEC Exterior Louver, 42 Degree Pitch	10 lbs.	1.000" (approx.)	54.218"	15.250"
6070068	EZEC Discharge Grille	3 lbs.	0.750"	48.750"	6.688"



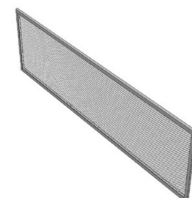
THERMOSTATS

PART NUMBER	DESCRIPTION	APPROX WT.	FEATURES		
			CONNECTION	STAGE	DISPLAY
6041206	Islandaire Non-Programmable, 2 Fan Speed	1.0 lbs.	Wireless	Single	Horizontal
6041210	Islandaire Programmable, 2 Fan Speed	1.0 lbs.	Wireless	Single	Horizontal
6041228	Islandaire Programmable (7 Day/5-1-1 Day/Non-Programmable), Two Fan Speed	1.0 lbs.	Wired	Single	Horizontal
6041373	Islandaire Wireless, WiFi Programmable	1.0 lbs.	Wireless	Single	Horizontal



OTHER OPTIONS

PART NUMBER	DESCRIPTION	APPROX WT.	FEATURES
6090026	EZEC Condenser Baffle, Foam, 2" x 14"	<1 lb.	-
6080003	Filter, Aluminum, 18.00" x 12.00"	<1 lb.	2 Per Unit



**Ask your salesman about
our DR. PTAC option!***

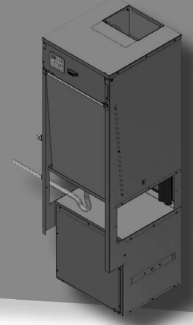


*100% conditioned
fresh air

**EZ Series VH Unit
Available**

Vertical Water Source Hybrid Heat
Pump, Replacement For:

CGC InnKeeper/HomeKeeper



Scan for more information

500 Middle Country Road, St. James, NY 11780 • 1-800-886-2759
e-mail: sales@islandaire.com • www.islandaire.com
Ph: 631-471-2900 • Fax: 631-471-2913



Locally Represented By:

