

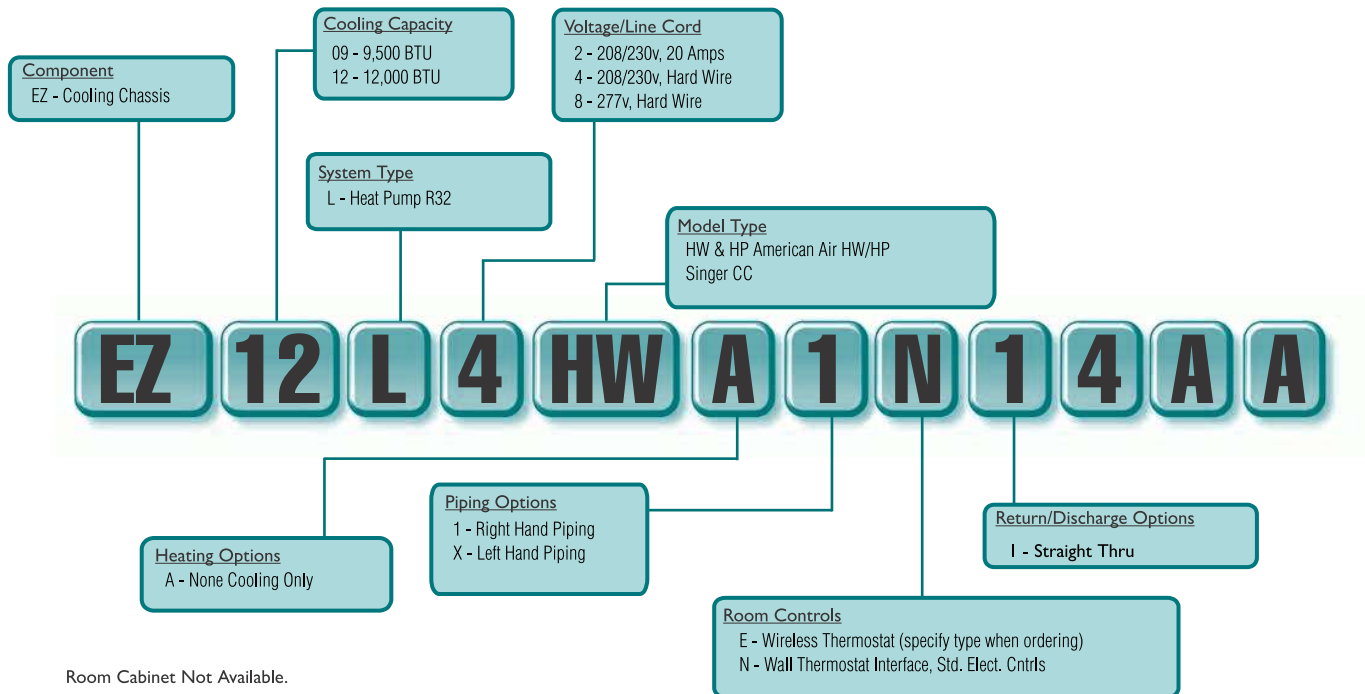
Horizontal Water Source Heat Pump Replaces American Air Filter HW & HP Horizontal Unit and Singer CC

Islandaire “The Perfect Fit” units are designed to exactly replace the original, existing chassis! No field modification kits or builder renovations are required. Islandaire units are designed for optimal efficiency and reliability. This unit has the same connection locations.

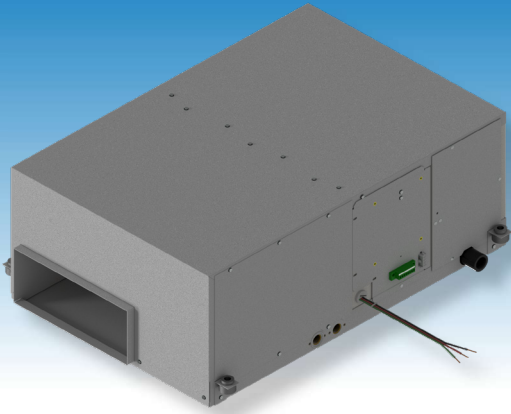
This appliance is intended for new construction or replacement of American Air Filter HW & HP water source units. Please confirm that the electrical rating of this appliance matches the electrical supply available before beginning installation.

Features:

- Proudly Assembled in the U.S.A.
- Superior Energy Efficiency Ratio (EER)
- High efficiency coaxial condenser coil
- High efficiency evaporator coil
- Commercial Duty Construction with Heavy Gauge Galvanized Steel
- High pressure protection
- Compressor and water circuit freeze protection
- Refrigerant circuit access ports
- Available with optional Float Switch



*Specifications are subject to change due to ongoing product development.



MODELS

	EZ09	115	EZ12	277
VOLTS	208/230	115	208/230	277
BTUH COOL	9,100/9,300	12,200	12,000/12,200	12,200
AMPS COOL	3.58/3.30	7.78	4.23/3.89	3.23
WATTS COOL	745/760	895	880/895	895
EER	12.2/12.2	13.6	13.6/13.6	13.6
CFM (m3/min) HIGH(1)	330 (9.3)/330 (9.3)	460 (13.0)	450 (12.7)/460 (13.0)	460 (13.0)
CFM (m3/min) LOW(1)	300 (8.5)/300 (8.5)	320 (9.1)	310 (8.8)/320 (9.1)	320 (9.1)
GPM (L/min)	2.25 (8.52)/2.25 (8.52)	3 (11.4)	3 (11.4)/3 (11.4)	3 (11.4)
C.O.P.	2.6/2.6	4.6	4.6/4.6	4.6
BTUH HEATING	11,800/12,000	15,000	14,800/15,000	15,000
AMPS HEATING	6.39/5.87	8.30	4.54/4.15	3.45
WATTS HEATING	1,330/1,350	955	945/955	955
SOUND LVL (dBA)(2)	53	53	53	53
WEIGHT, LB. (kg)	92 (42)	95 (43)	95 (43)	95 (43)

⁽¹⁾ CFM values are dry coil (not in cooling mode).

⁽²⁾ Sound values represent sound pressure levels.

Notes:

1) Data based on AHRI/ASHRAE/ISO 13256-1:

Cooling (EAT): 80.6 °F DB\66.2 °F WB

Cooling (EWT): 86 °F

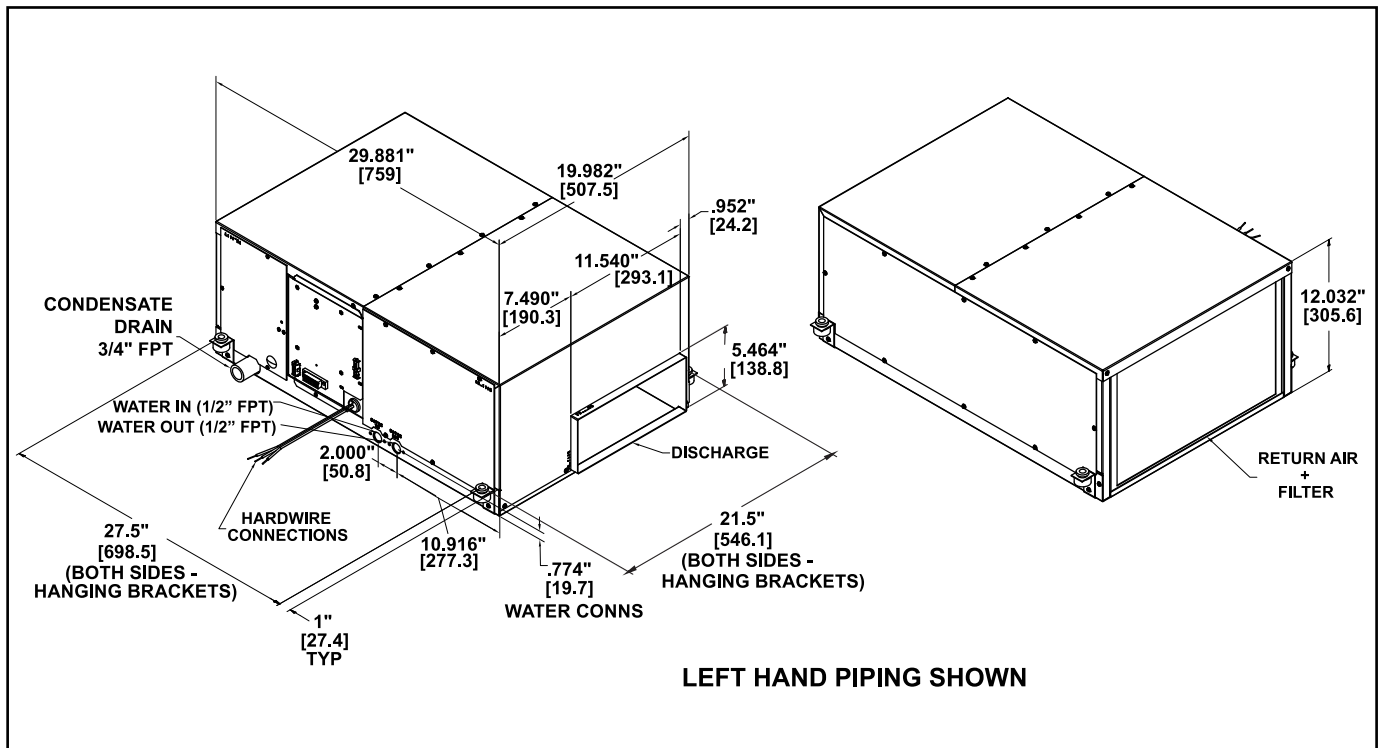
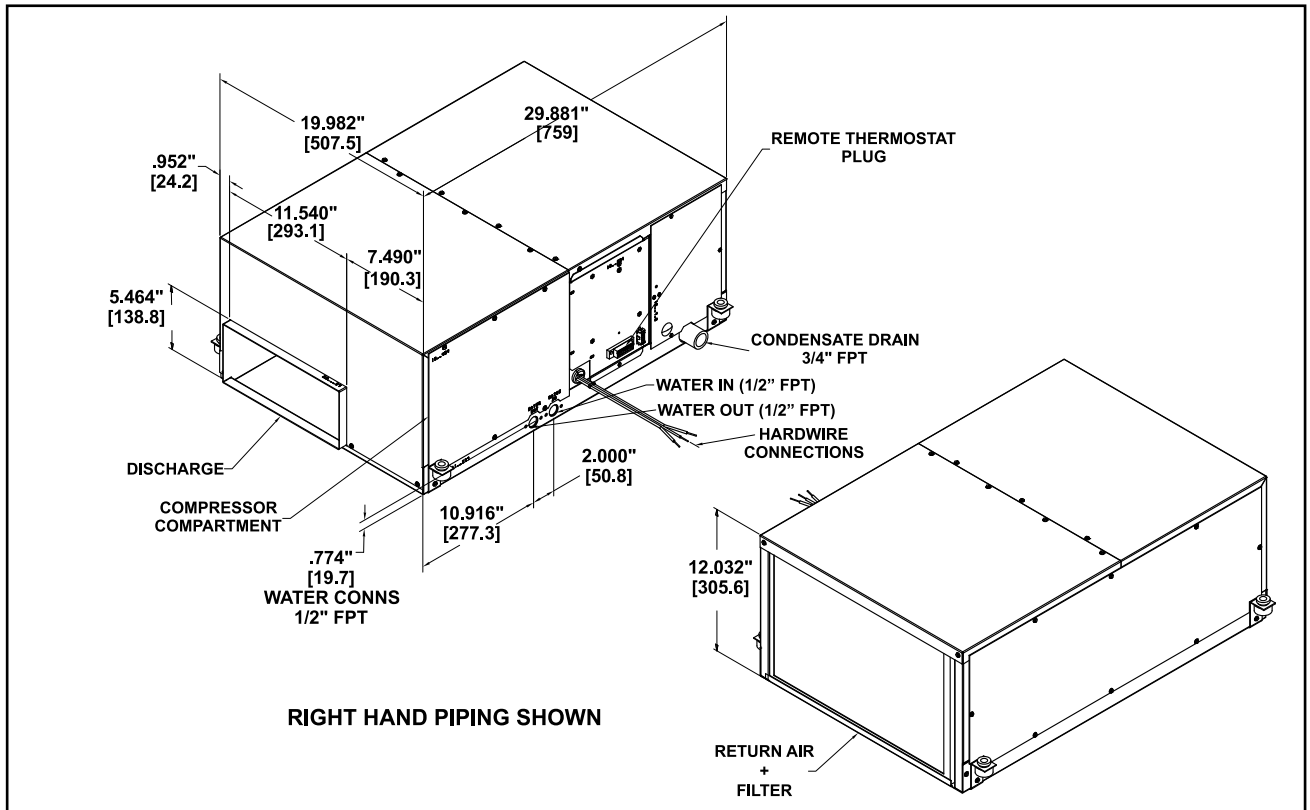
Heating (EAT): 68 °F DB\59 °F WB

Heating (EWT): 68 °F

2) Water Loop Operation

Cooling LWT - EWT = 10 °F

Heating EWT - LWT = 10 °F



HOSE KITS

PART NUMBER	DESCRIPTION	APPROX WT.	DIMENSIONS	
			LENGTH	DIA.
4091584	Hose Kit, 1/2", 2.50 GPM, 18"L	3.0 lbs.	18.0"	1/2"
4091684	Hose Kit, 1/2", 2.50 GPM, 18"L, w/Strainer	3.0 lbs.	18.0"	1/2"
4091585	Hose Kit, 1/2", 2.50 GPM, 24"L	3.0 lbs.	24.0"	1/2"
4091670	Hose Kit, 1/2", 2.50 GPM, 24"L, w/Strainer	3.0 lbs.	24.0"	1/2"
4091576	Hose Kit, 1/2", 3.00 GPM, 18"L	3.0 lbs.	18.0"	1/2"
4091685	Hose Kit, 1/2", 3.00 GPM, 18"L, w/Strainer	3.0 lbs.	18.0"	1/2"
4091577	Hose Kit, 1/2", 3.00 GPM, 24"L	3.0 lbs.	24.0"	1/2"
4091671	Hose Kit, 1/2", 3.00 GPM, 24"L, w/Strainer	3.0 lbs.	24.0"	1/2"



MOTORIZED VALVES

PART NUMBER	DESCRIPTION	APPROX WT.	FEATURES		
			VOLTAGE	TYPE	INLET
6041215	Actuator, 24 Vac, Normally Closed	1.0 lbs.	24 Vac	NC	N/A
6041256	Actuator, 24 Vac, Normally Open	1.0 lbs.	24 Vac	NO	N/A
6041214	Valve Body, 1/2" Thread, NPT	1.0 lbs.	N/A	N/A	NPT



THERMOSTATS

PART NUMBER	DESCRIPTION	APPROX WT.	FEATURES		
			CONNECTION	STAGE	DISPLAY
6041206	Islandaire Non-Programmable, 2 Fan Speed	1.0 lbs.	Wireless	Single	Horizontal
6041210	Islandaire Programmable, 2 Fan Speed	1.0 lbs.	Wireless	Single	Horizontal
6041228	Islandaire Programmable (7 Day/5-1-1 Day/Non-Programmable), Two Fan Speed	1.0 lbs.	Wired	Single	Horizontal
6041373	Islandaire Wireless, WiFi Programmable	1.0 lbs.	Wireless	Single	Horizontal
6041374	Islandaire Wireless, WiFi (Receiver Only)	1.0 lbs.	N/A	N/A	N/A
6041375	Wet Switch Kit for 6041373 Thermostat	1.0 lbs.	N/A	N/A	N/A



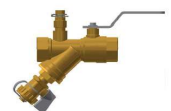
FILTERS

PART NUMBER	DESCRIPTION	APPROX WT.	DIMENSIONS		
			DEPTH	WIDTH	HEIGHT
6080061	EZHW/HP Filter, Standard	2 lbs.	1.000"	18.000"	11.750"



OTHER OPTIONS

PART NUMBER	DESCRIPTION	APPROX WT.	FEATURES
6041223	Strainer, 1/2" Dia. Hose Kit	1 lbs.	Use with 1/2" dia. Hose Kit



**Ask your salesman about
our DR. PTAC option!***

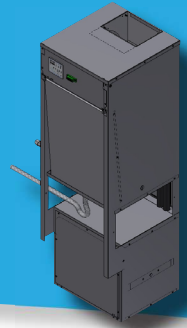


*100% conditioned
fresh air

**EZ Series VH Unit
Available**

Vertical Water Source Hybrid Heat
Pump, Replacement For:

CGC InnKeeper/HomeKeeper



Scan for more information

500 Middle Country Road, St. James, NY 11780 • 1-800-886-2759
e-mail: sales@islandaire.com • www.islandaire.com
Ph: 631-471-2900 • Fax: 631-471-2913



Locally Represented By: