

Console Water Source Heat Pump Replaces Climate Master 801 Small Series

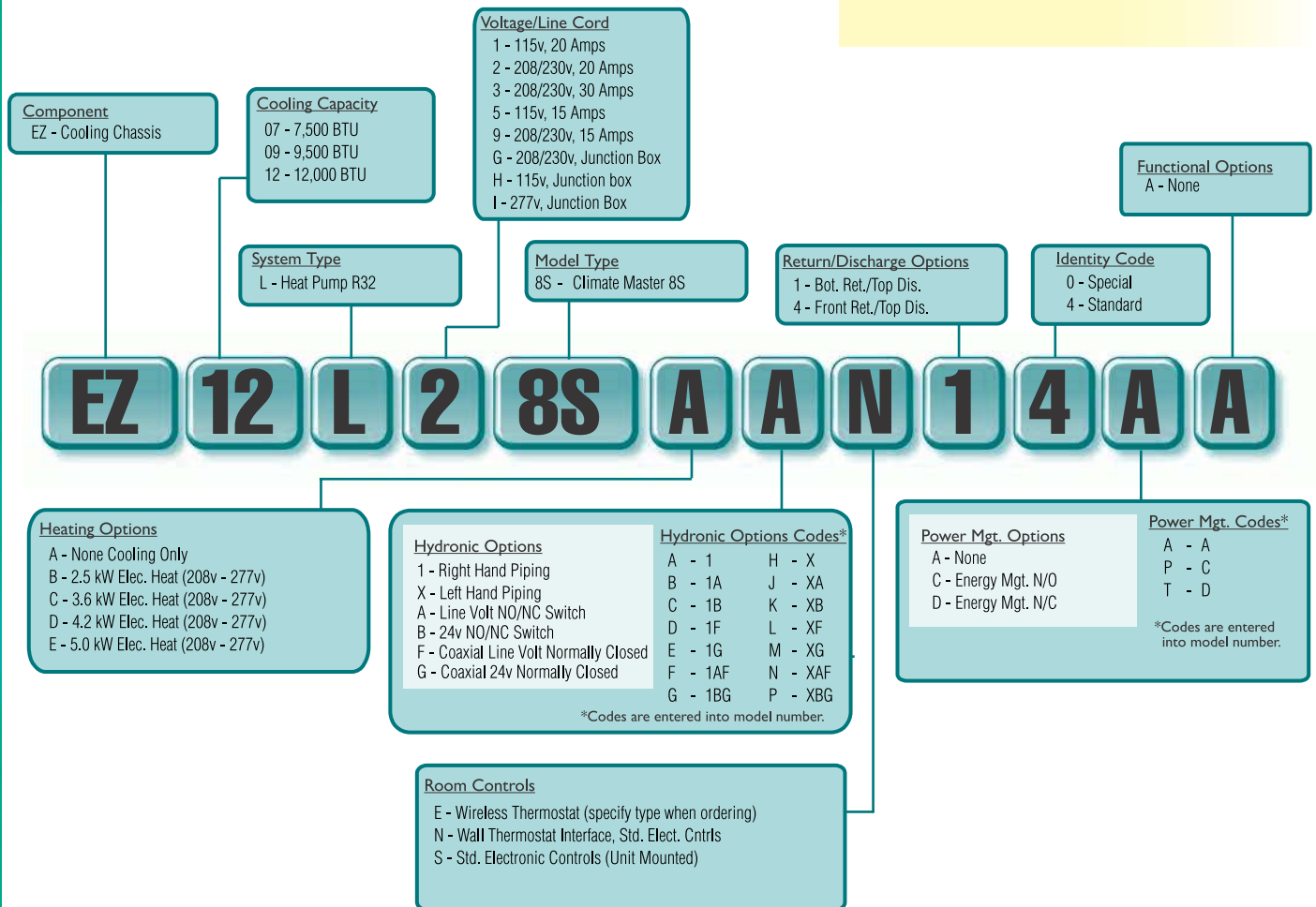
Islandaire "The Perfect Fit" units are designed to exactly replace the original, existing chassis! No field modification kits or builder renovations are required. Islandaire units are designed for optimal efficiency and reliability.

This appliance is intended for new construction or replacement of Climate Master 8S water source heat pumps. Please confirm that the electrical rating of this appliance matches the electrical supply available before beginning installation.

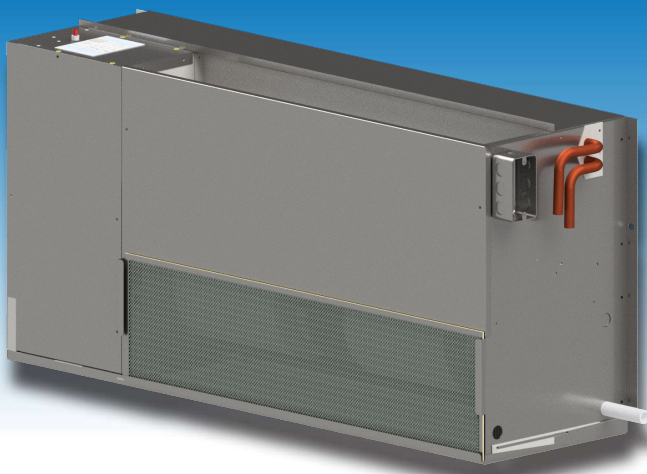


Features:

- Proudly Assembled in the U.S.A.
- Superior Energy Efficiency Ratio (EER)
- High efficiency coaxial condenser coil
- High efficiency evaporator coil
- Commercial Duty Construction with Heavy Gauge Galvanized Steel
- High pressure protection
- Compressor and water circuit freeze protection
- Refrigerant circuit access ports
- Float Switch provided as standard equipment



*Specifications are subject to change due to ongoing product development.



Slide the old 8S unit out, slide
"The Perfect Fit" Islandaire unit in!
No Renovations!

MODELS

	EZ07			EZ09			EZ12		
VOLTS	115	208/230	277	115	208/230	277	115	208/230	277
BTUH COOL	8,100	7,900/8,100	8,100	9,300	9,100/9,300	9,300	12,200	12,000/12,200	12,200
AMPS COOL	5.04	2.72/2.52	2.09	6.00	3.25/3.00	2.49	7.78	4.23/3.89	3.23
WATTS COOL	580	565/580	580	690	675/690	690	895	880/895	895
EER	14.0	14.0/14.0	14.0	13.5	13.5/13.5	13.5	13.6	13.6/13.6	13.6
CFM (m3/min) HIGH(1)	420 (11.9)	410 (11.6)/420 (11.9)	420 (11.9)	420 (11.9)	410(11.6)/420 (11.9)	420 (11.9)	460 (13.0)	450 (12.7)/460 (13.0)	460 (13.0)
CFM (m3/min) LOW(1)	280 (7.9)	270 (7.6)/280 (7.9)	280 (7.9)	280 (7.9)	270 (7.6)/280 (7.9)	280 (7.9)	320 (9.1)	310 (8.8)/320 (9.1)	320 (9.1)
GPM (L/min)	2 (7.6)	2 (7.6)/2 (7.6)	2 (7.6)	2 (7.6)	2 (7.6)/2 (7.6)	2 (7.6)	3 (11.4)	3 (11.4)/3 (11.4)	3 (11.4)
C.O.P.	4.6	4.6/4.6	4.6	4.5	4.5/4.5	4.5	4.6	4.6/4.6	4.6
BTUH HEATING	9,600	9,400/9,600	9,600	12,000	11,800/12,000	12,000	15,000	14,800/15,000	15,000
AMPS HEATING	5.30	2.88/2.65	2.20	6.78	3.70/3.39	2.82	8.30	4.54/4.15	3.45
WATTS HEATING	610	600/610	610	780	770/780	780	955	945/955	955
SOUND LVL (dBA)(2)	48	48	48	51	51	51	53	53	53
WEIGHT, LB. (kg)	85 (39)	85 (39)	85 (39)	90 (41)	90 (41)	90 (41)	95 (43)	95 (43)	95 (43)

- (1) CFM values are dry coil (not in cooling mode).
(2) Sound values represent sound pressure levels.

Heating Option	Voltage ⁽³⁾	Wattage	BTU/h	Amps ⁽⁴⁾
B	208	2,045	7,000	9.83
	230	2,500	8,500	10.87
	277	2,500	8,500	9.03
C	208	2,945	10,100	14.16
	230	3,600	12,300	15.65
	277	3,600	12,300	13.00
D	208	3,435	11,700	16.51
	230	4,200	14,300	18.26
	277	4,200	14,300	15.16
E	208	4,090	14,000	19.66
	230	5,000	17,100	21.74
	277	5,000	17,100	18.05

- (3) Voltage is Single Phase, Alternating Current and R.M.S.
(4) Amp values are for heating element only.

Notes:

Data based on AHRI/ASHRAE/ISO 13256-1:

Cooling (EAT): 80.6 °F DB/66.2 °F WB

Cooling (EWT): 86 °F

Heating (EAT): 68 °F DB/59 °F WB

Heating (EWT): 68 °F

Water Loop Operation

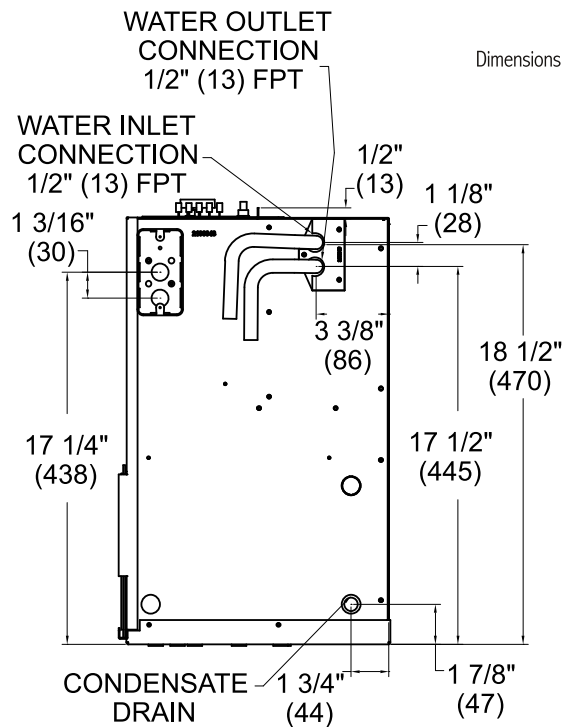
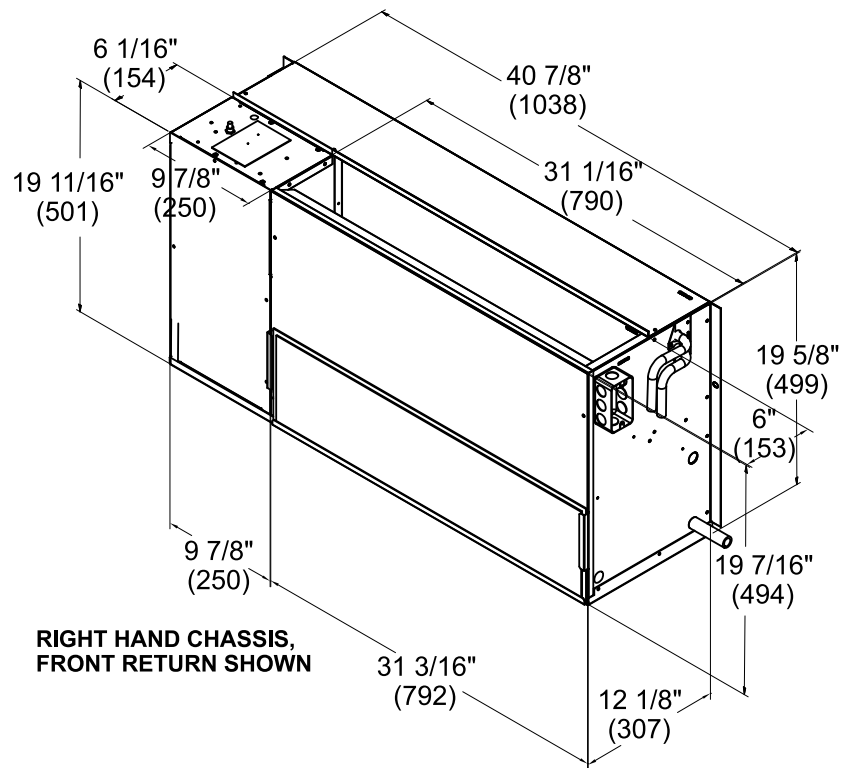
Cooling LWT - EWT = 10 °F

Heating EWT - LWT = 10 °F

Line Voltage	Maximum Amperage	Wall Socket Configuration	Receptacle Number	Electrical Heat Options
115	12		NEMA 5-15R	1.3
115	16		NEMA 5-20R	1.7
208/230	12		NEMA 6-15R	2.5
208/230	16		NEMA 6-20R	3.6
208/230	24		NEMA 6-30R	4.2 - 5.0
277	16		NEMA 7-20R	2.5 - 4.2
277	24		NEMA 7-30R	5.0

ENVIRONMENTALLY
SOUND
REFRIGERANT





RIGHT HAND PIPING SHOWN

EZ SERIES 8S

Unit Accessories

HOSE KITS

PART NUMBER	DESCRIPTION	APPROX WT.	DIMENSIONS	
			LENGTH	DIA.
4091501	Hose Kit, 1/2", 2.00 GPM, 18"L	3.0 lbs.	18.0"	1/2"
4091683	Hose Kit, 1/2", 2.00 GPM, 18"L, w/Strainer	3.0 lbs.	18.0"	1/2"
4091261	Hose Kit, 1/2", 2.00 GPM, 24"L	3.0 lbs.	24.0"	1/2"
4091669	Hose Kit, 1/2", 2.00 GPM, 24"L, w/Strainer	3.0 lbs.	24.0"	1/2"
4091576	Hose Kit, 1/2", 3.00 GPM, 18"L	3.0 lbs.	18.0"	1/2"
4091685	Hose Kit, 1/2", 3.00 GPM, 18"L, w/Strainer	3.0 lbs.	18.0"	1/2"
4091577	Hose Kit, 1/2", 3.00 GPM, 24"L	3.0 lbs.	24.0"	1/2"
4091671	Hose Kit, 1/2", 3.00 GPM, 24"L, w/Strainer	3.0 lbs.	24.0"	1/2"



MOTORIZED VALVES

PART NUMBER	DESCRIPTION	APPROX WT.	FEATURES		
			VOLTAGE	TYPE	INLET
6041215	Actuator, 24 Vac, Normally Closed	1.0 lbs.	24 Vac	NC	N/A
6041256	Actuator, 24 Vac, Normally Open	1.0 lbs.	24 Vac	NO	N/A
6041214	Valve Body, 1/2" Thread, NPT	1.0 lbs.	N/A	N/A	NPT



THERMOSTATS

PART NUMBER	DESCRIPTION	APPROX WT.	FEATURES		
			CONNECTION	STAGE	DISPLAY
6041206	Islandaire Non-Programmable, 2 Fan Speed	1.0 lbs.	Wireless	Single	Horizontal
6041210	Islandaire Programmable, 2 Fan Speed	1.0 lbs.	Wireless	Single	Horizontal
6041228	Islandaire Programmable (7 Day/5-1-1 Day/ Non-Programmable), Two Fan Speed	1.0 lbs.	Wired	Single	Horizontal
6041373	Islandaire Wireless, WiFi Programmable	1.0 lbs.	Wireless	Single	Horizontal
6041374	Islandaire Wireless, WiFi (Receiver Only)	1.0 lbs.	N/A	N/A	N/A
6041375	Wet Switch Kit for 6041373 Thermostat	1.0 lbs.	N/A	N/A	N/A



FILTERS

PART NUMBER	DESCRIPTION	APPROX WT.	DIMENSIONS		
			DEPTH	WIDTH	HEIGHT
6080010	EZ8S Aluminum Filter, Standard	2 lbs.	0.250"	28.000"	9.000"



OTHER OPTIONS

PART NUMBER	DESCRIPTION	APPROX WT.	FEATURES
6041223	Strainer, 1/2" Dia. Hose Kit	1.0 lbs.	Use with 1/2" dia. Hose Kit



LINE CORD/HARDWIRE KITS

PART NUMBER	DESCRIPTION	APPROX WT.	DIMENSIONS		
			DEPTH	WIDTH	HEIGHT
4092552	EZ8S Hardwire Kit, 48", 115/277V	2 lbs.	N/A	N/A	N/A
4092539	EZ8S Hardwire Kit, 48", 208/230V	2 lbs.	N/A	N/A	N/A
6160146	Line Cord, 277V, 15 Amp (6 Foot)	2 lbs.	-	-	-
6160032	Line Cord, 277V, 20 Amp (6 Foot)	2 lbs.	-	-	-
6160676	Line Cord, 277V, 30 Amp (6 Foot)	2 lbs.	-	-	-



**Ask your salesman about
our DR. PTAC option!***

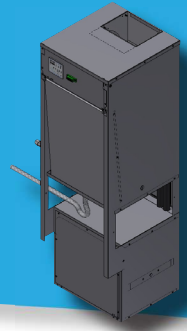


*100% conditioned
fresh air

**EZ Series VH Unit
Available**

Vertical Water Source Hybrid Heat
Pump, Replacement For:

CGC InnKeeper/HomeKeeper



Scan for more information

500 Middle Country Road, St. James, NY 11780 • 1-800-886-2759
e-mail: sales@islandaire.com • www.islandaire.com
Ph: 631-471-2900 • Fax: 631-471-2913



Locally Represented By:

