

Replacement for the Climate Master SR-18B, 700-17G and CM-180 units

Islandaire EZ Series C8 is a replacement for the Climate Master SR-18B, 700-17G and CM-180 units. Our commercial duty construction with heavy gauge galvanized steel and superior components create an efficient, reliable unit. This design eliminates the need for any interior or exterior renovation. Use of the existing wall sleeve-cabinet and louver saves time and money, two very important factors in today's competitive environment! If the need does occur where the room cabinet needs to be replaced, we manufacture them, as well as a square or rectangular control box.

FEATURES

- Proudly Assembled in the U.S.A.
- ETL listed products
- Superior Energy Efficiency Ratios (EERs)
- Commercial Duty Construction with Heavy Gauge Galvanized Steel
- Designed for exact replacement of existing sleeve opening
- Energy Efficient Rotary Compressors
- P.S.C. Evaporator and Condenser Motors
- High-Efficiency Refrigeration Coils Used to Provide Superior Heat Transfer
- Units Available as Cooling only, Cooling with Electric Heat, Cooling with Hydronic Heat or Heat Pumps
- Custom Options Available
- Available with wired and wireless wall thermostats
- NYC MEA Number 358-93-E Vol. II



Voltage/Line Cord
 2 - 208/230v, 20 Amps 7 - 277v, 20 Amps
 3 - 208/230v, 30 Amps 8 - 277v, Hard Wire
 4 - 208/230v, Hard Wire 9 - 208/230v, 15 Amps

Cooling Capacity
15 - 15,000 BTU

Return/Discharge Options
1 - Bot. Ret./Top Dis.

Functional Options
 A - None
 B - Motorized Damper
 C - Fan Cycle Switch
 D - Indoor Freeze Protect

Functional Option Codes*
 A - A L - BD
 B - B T - C
 C - BC U - CD
 D - BCD 2 - D

*Codes are entered into model number.

Component
EZ - Cooling Chassis

System Type
K - Std. Chassis R32

Model Type
C8 - Climate Master SR-18B, 700-17G and CM-180

Identity Code
 0 - Special
 4 - Standard

EZ 15 K 2 C8 A 1 H 1 4 A A

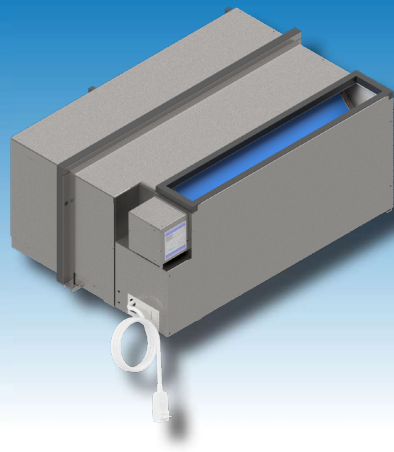
Heating Options
 A - None Cooling Only
 B - 2.5 kW Elec. Heat (208v - 277v)
 C - 3.4 kW Elec. Heat (208v - 277v)
 D - 4.2 kW Elec. Heat (208v - 277v)
 E - 5.0 kW Elec. Heat (208v - 277v)
 F - Hyd. Fan Cycle W/T-Stat (115v - 277v)
 G - Hyd. With Aquastat (115v - 277v)
 H - Hyd. W/2.5 kW B.U. Heat (208v - 277v)
 I - Hyd. W/3.4 kW Dual Stage (208v - 277v)

Hydronic Options
 1 - None
 2 - 24v NC Valve
 4 - 230v NC Valve
 5 - 277v NC Valve
 6 - 24v NO Valve
 8 - 230v NO Valve
 9 - 277v NO Valve
 A - Line Volt NO/NC Switch
 B - 24v NO/NC Switch

Room Controls
 E - Wireless Thermostat (specify type when ordering)
 H - Extended Control Module, Square
 I - Extended Control Module, Rectangle
 N - Wall Thermostat Interface, Std. Elect. Cntrl
 U - Std. Electronic Control Module, Square
 V - Std. Electronic Control Mod., Rectangle

Power Mgt. Options
A - None

*Specifications are subject to change due to ongoing product development.



MODELS

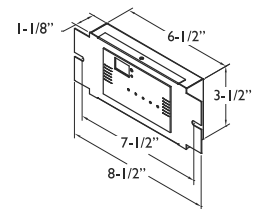
	EZ15	
VOLTS	208 / 230	277
BTUH COOL	14,500	14,500
AMPS	8.73 / 7.89	6.62
WATTS COOL	1,815	1,835
EER	8.0	7.9
CFM HIGH	500	500
CFM LOW	400	400

Where applicable, cooling capacities are specified at conditions of 95 °F DB/75 °F WB (35 °C DB/24 °C WB) outdoor and 80 °F DB/67 °F WB (27 °C DB/19 °C WB) indoor and heating capacities are specified at conditions of 47 °F DB/43 °F WB (8 °C DB/6 °C WB) outdoor and 70 °F DB/60 °F WB (21 °C DB/16 °C WB) indoor in accordance with AHRI 310/380 and CSA C744 standards. Wattage, Amperage, EER, and COP listings include compressor, evaporator motor and condenser fan motor. The above ratings are a typical heat pump style unit.

Heating Option	Voltage (1)	Wattage	BTU/h	Amps (2)
B & H	208	2,045	7,000	9.83
	230	2,500	8,500	10.87
	277	2,500	8,500	9.03
C & I	208	2,780	9,500	13.37
	230	3,400	11,600	14.78
	277	3,400	11,600	12.27
D	208	3,435	11,700	16.51
	230	4,200	14,300	18.26
	277	4,200	14,300	15.16
E	208	4,090	14,000	19.66
	230	5,000	17,100	21.74
	277	5,000	17,100	18.05

(1) Voltage is Single Phase, Alternating Current and R.M.S.
 (2) Amp values are for heating element only

Line Voltage	Maximum Amperage	Wall Socket Configuration	Receptacle Number	Electrical Heat Options
208/230	12		NEMA 6-15R	2.5
208/230	16		NEMA 6-20R	3.6
208/230	24		NEMA 6-30R	4.2 - 5.0
277	16		NEMA 7-20R	2.5 - 4.2
277	24		NEMA 7-30R	5.0



RECTANGLE STD. ELECTRONIC CONTROL MOD. SHOWN

