

Replacement for the Space Command Chromalox UpFlow and DownFlow Models

Islandaire EZ Series CH is a replacement for the Space Command Chromalox Upflow and Downflow units. Our commercial duty construction with heavy gauge galvanized steel and superior components create an efficient, reliable unit. This design eliminates the need for any interior or exterior renovation. Use of the existing wall sleeve-cabinet and louver saves time and money, two very important factors in today's competitive environment! Note: Downflow version available in remote thermostat only.

FEATURES

- Proudly Assembled in the U.S.A.
- ETL listed products
- Superior Energy Efficiency Ratios (EERs)
- Commercial Duty Construction with Heavy Gauge Galvanized Steel
- Designed for exact replacement of existing sleeve opening
- Energy Efficient Rotary Compressors
- P.S.C. Evaporator and Condenser Motors
- High-Efficiency Refrigeration Coils Used to Provide Superior Heat Transfer
- Units Available as Cooling only, Cooling with Electric Heat, Cooling with Hydronic Heat, or Heat Pumps
- Custom Options Available
- Available with wired and wireless wall thermostats



Voltage/Line Cord	
1 - 115v, 20 Amps	6 - 115v, Hard Wire
2 - 208/230v, 20 Amps	7 - 277v, 20 Amps
3 - 208/230v, 30 Amps	8 - 277v, Hard Wire
4 - 208/230v, Hard Wire	9 - 208/230v, 15 Amps
5 - 115v, 15 Amps	

Cooling Capacity
07 - 7,500 BTU
09 - 9,500 BTU
12 - 12,000 BTU
15 - 15,000 BTU

Model Type
CH - Space Command

Functional Options	Functional Option Codes*
A - None	A - A L - BD
B - Motorized Damper	B - B T - C
C - Fan Cycle Switch	C - BC U - CD
D - Indoor Freeze Protect	D - BCD 2 - D

*Codes are entered into model number.

Component
EZ - Cooling Chassis

System Type
K - Std. Chassis R32
L - Heat Pump R32

Return/Discharge Options
1 - Bot. Ret./Top Dis.
8 - Down Flow (Restricted)

Identity Code
0 - Special
4 - Standard

EZ 12 L 2 CH A 1 E 1 4 A A

Heating Options
A - None Cooling Only
B - 2.5 kW Elec. Heat (208v - 277v)
C - 3.4 kW Elec. Heat (208v - 277v)
D - 4.2 kW Elec. Heat (208v - 277v)
E - 5.0 kW Elec. Heat (208v - 277v)
H - Hyd. W/2.5 kW B.U. Heat (208v - 277v)
I - Hyd. W/3.4 kW Dual Stage (208v - 277v)
L - 7.2 kW Elec. Heat (208v - 277v)
V - 6.5 kW Elec. Heat (208v - 277v)

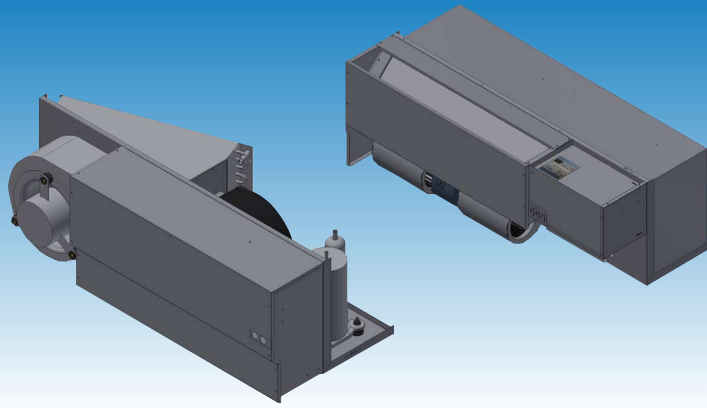
Hydronic Options
1 - None
2 - 24v NC Valve
3 - 115v NC Valve
4 - 230v NC Valve
5 - 277v NC Valve
6 - 24v NO Valve
7 - 115v NO Valve
8 - 230v NO Valve
9 - 277v NO Valve
A - Line Volt NO/NC Switch
B - 24v NO/NC Switch

Room Controls
E - Wireless Thermostat (specify type when ordering)
F - Wall Thermostat Interface, Master
G - Wall Thermostat Interface, Slave
K - None
N - Wall Thermostat Interface, Std. Elect. Cntrls
S - Std. Electronic Controls (Unit Mounted)

Power Mgt. Options	Power Mgt. Codes*
A - None	A - A
C - Energy Mgt. N/O	P - C
D - Energy Mgt. N/C	T - D

*Codes are entered into model number.

*Specifications are subject to change due to ongoing product development.



MODELS

	EZ07			EZ09			EZ12			EZ15		
VOLTS	115	208 / 230	277	115	208 / 230	277	115	208 / 230	277	208 / 230	277	
BTUH COOL	7,000	6,800 / 7,000	7,000	9,000	9,300 / 9,500	9,000	12,000	11,800 / 12,000	12,000	14,300 / 14,500	15,000	
AMPS COOL	5.13	2.74 / 2.57	2.13	6.87	3.99 / 3.70	2.87	9.96	5.43 / 5.02	4.17	7.09 / 6.54	5.70	
WATTS COOL	590	570 / 590	590	790	830 / 850	795	1,145	1,130 / 1,155	1,155	1,475 / 1,505	1,580	
EER	11.9	11.9 / 11.8	11.9	11.4	11.2 / 11.2	11.3	10.5	10.5 / 10.4	10.4	9.7 / 9.7	9.5	
CFM HIGH ⁽¹⁾	350	350 / 350	350	350	350 / 350	350	400	400 / 400	400	450 / 450	450	
CFM LOW ⁽¹⁾	280	280 / 280	280	280	280 / 280	280	350	350 / 350	350	400 / 400	400	
BTUH HEAT	6,400	6,100 / 6,400	6,000	8,500	8,300 / 8,500	8,000	11,000	10,800 / 11,000	11,000	13,200 / 13,600	14,000	
WATTS HEAT	570	540 / 435	535	710	745 / 585	715	920	1,010 / 780	1,030	1,285 / 1,335	1,380	
C.O.P.	3.3	3.3 / 4.3	3.3	3.5	3.3 / 4.3	3.3	3.5	3.1 / 4.1	3.1	3.0 / 3.0	3.0	

⁽¹⁾ CFM values are dry coil (not in cooling mode).

Where applicable, cooling capacities are specified at conditions of 95 °F DB/75 °F WB (35 °C DB/24 °C WB) outdoor and 80 °F DB/67 °F WB (27 °C DB/19 °C WB) indoor and heating capacities are specified at conditions of 47 °F DB/43 °F WB (8 °C DB/6 °C WB) outdoor and 70 °F DB/60 °F WB (21 °C DB/16 °C WB) indoor in accordance with AHRI 310/380 and CSA C744 standards. Wattage, Amperage, EER, and COP listings include compressor, evaporator motor and condenser fan motor. The above ratings are a typical heat pump style unit.

Heating Option	Voltage ⁽²⁾	Wattage	BTU/h	Amps ⁽³⁾
B	208	2,045	7,000	9.83
	230	2,500	8,500	10.87
	277	2,500	8,500	9.03
C	208	2,780	9,500	13.37
	230	3,400	11,600	14.78
	277	3,400	11,600	12.27
D	208	3,435	11,700	16.51
	230	4,200	14,300	18.26
	277	4,200	14,300	15.16
E	208	4,090	14,000	19.66
	230	5,000	17,100	21.74
	277	5,000	17,100	18.05
H	208	2,045	7,000	9.83
	230	2,500	8,500	10.87
	277	2,500	8,500	9.03
I	208	2,780	9,500	13.37
	230	3,400	11,600	14.78
	277	3,400	11,600	12.27
L	208	5,890	20,100	28.31
	230	7,200	24,600	31.30
	277	7,200	24,600	25.99
V	208	5,315	18,100	25.56
	230	6,500	22,200	28.26
	277	6,500	22,200	23.47

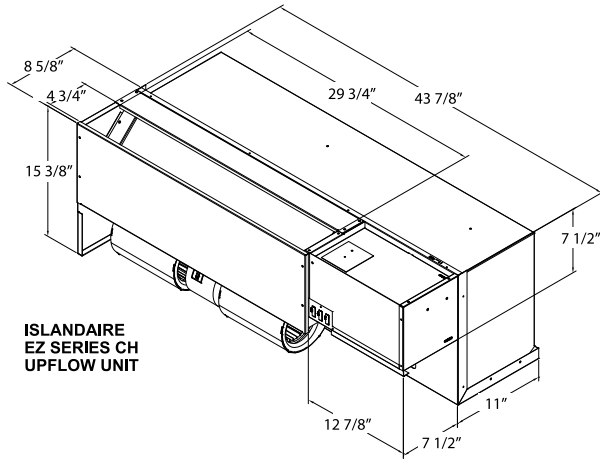
⁽²⁾ Voltage is Single Phase, Alternating Current and R.M.S.

⁽³⁾ Amp values are for heating element only.

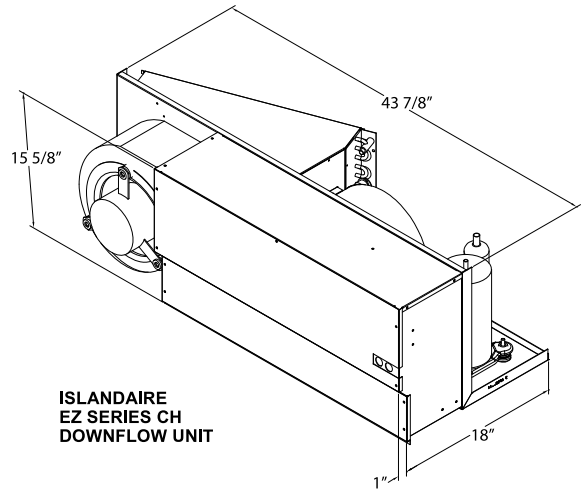
Line Voltage	Maximum Amperage	Wall Socket Configuration	Receptacle Number	Electrical Heat Options
115	12		NEMA 5-15R	1.3
115	16		NEMA 5-20R	1.7
208/230	12		NEMA 6-15R	2.5
208/230	16		NEMA 6-20R	3.6
208/230	24		NEMA 6-30R	4.2 - 5.0
277	16		NEMA 7-20R	2.5 - 4.2
277	24		NEMA 7-30R	5.0

EZ SERIES CH

Unit Accessories



ISLANDAIRE
EZ SERIES CH
UPFLOW UNIT



ISLANDAIRE
EZ SERIES CH
DOWNFLOW UNIT

ENCLOSURES

PART NUMBER	DESCRIPTION	APPROX. WT.	DIMENSIONS		
			DEPTH	WIDTH	HEIGHT
Consult Factory	-	-	-	-	-

OTHER

PART NUMBER	DESCRIPTION	APPROX. WT.	DIMENSIONS		
			DEPTH	WIDTH	HEIGHT
4090169	EZCH Condenser Baffle, 14" x 2.5"	5 lbs.	2.500"	14.000"	1.500"



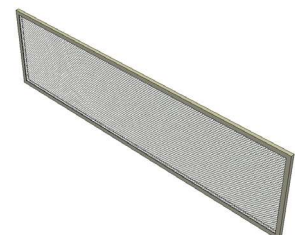
THERMOSTATS

PART NUMBER	DESCRIPTION	APPROX. WT.	FEATURES		
			CONNECTION	STAGE	DISPLAY
6041206	Islandaire Non-Programmable, Two Fan Speed	1.0 lbs.	Wireless	Single	Horizontal
6041210	Islandaire Programmable, Two Fan Speed	1.0 lbs.	Wireless	Single	Horizontal
6041228	Islandaire Programmable (7 Day/5-1-1 Day/Non-Programmable), Two Fan Speed	1.0 lbs.	Wired	Single	Horizontal
6041373	Islandaire Wireless, WiFi Programmable	1.0 lbs.	Wireless	Single	Horizontal



FILTERS

PART NUMBER	DESCRIPTION	APPROX. WT.	DIMENSIONS		
			DEPTH	WIDTH	HEIGHT
6080023	EZCH Downflow Filter	2 lbs.	0.25"	32.688"	3.500"
6080047	EZCH Upflow Filter	2 lbs.	0.25"	44.500"	6.000"



Ask your salesman about
our DR. PTAC option!*

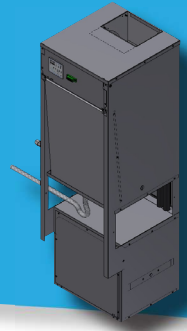


*100% conditioned
fresh air

EZ Series VH Unit Available

Vertical Water Source Hybrid Heat
Pump, Replacement For:

CGC InnKeeper/HomeKeeper



Scan for more information

500 Middle Country Road, St. James, NY 11780 • 1-800-886-2759
e-mail: sales@islandaire.com • www.islandaire.com
Ph: 631-471-2900 • Fax: 631-471-2913



Locally Represented By:

