

EZ SERIES VP

THRU-THE-WALL/BUILT-IN AIR CONDITIONERS

PRODUCT INFORMATION

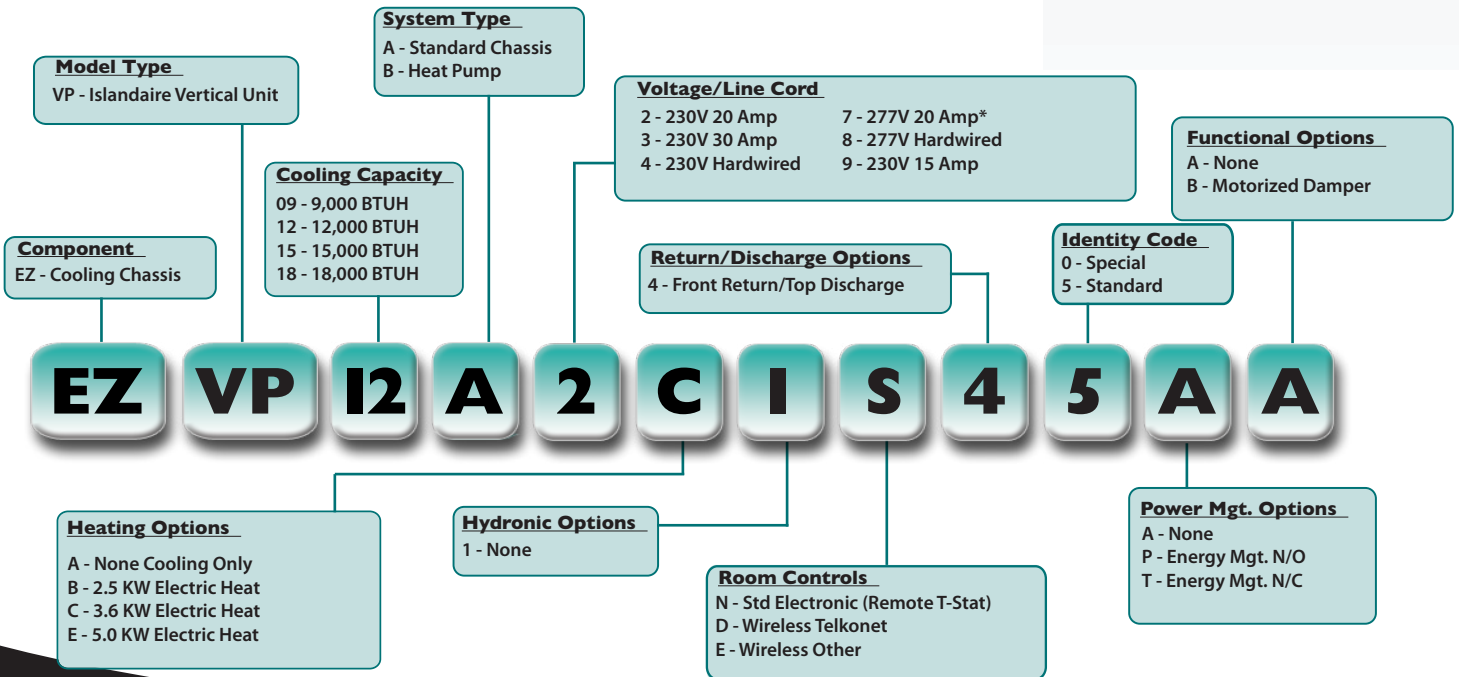
FEATURES:

- Quiet and energy-efficient compressor
- Motion sensor/door switch capable
- Superior temperature control
- Dehumidification of room air
- Modern and elegant appearance
- Washable filter for easy cleaning
- User friendly control panel
- Wired wall thermostat capable
- Compressor freeze protection
- Self diagnosis
- Random Auto Re-start
- Compressor time delay
- Front desk control
- Room side freeze protection

ACCESSORIES:

- Architectural Louver
- 18 gauge insulated wall sleeve
- Wired remote thermostat
- Wireless remote thermostat
- I.R. Motion sensor
- Door switch
- Energy Management Thermostat
- Access Panel

The EZ Series VP units are designed and manufactured for new construction or the replacement of vertical terminal air conditioning units in an existing building. The product is designed for individually-zoned comfort controlled heating and cooling. The unit height is an industry standard of 23 1/8" wide by 23 1/8" deep by 31" high. We offer our cooling chassis to operate with cooling only or heat pump with backup electric heat, or just straight electric heat. The design standards, heavy duty construction, and the focus on indoor noise reduction has created our unit as the premier unit of the future. Standard warranty is a one year parts and labor including five year compressor part only warranty or a two year parts only including a five year compressor part only warranty.



22 Research Way • East Setauket, NY 11733
 Phone: 631-471-2900 • Toll Free: 800-886-2759 • Fax: 631-471-2913
 www.islandaire.com • sales@islandaire.com

EZ SERIES VP

THRU-THE-WALL/BUILT-IN AIR CONDITIONERS

PRODUCT INFORMATION



	EZ09	EZ09	EZ12	EZ12	EZ15	EZ15	EZ18	EZ18
Volts 60 Hz 1ph	208-230	265-277	208-230	265-277	208-230	265-277	208-230	265-277
Cool Capacity Total (BTU/H)	8900	8900	12000	12000	15400	15400	17500	17500
Cool Sensible Total (BTU/H)	6500	6500	8600	8600	10700	10700	11800	11800
Cool Capacity Latent (BTU/H)	2400	2400	3400	3400	4700	4700	5700	5700
Cool Power Input (Watts)	787	787	1091	1097	1550	1550	1945	1945
Cool Amps	3.6	2.84	5.01	3.94	7.1	5.6	8.0	6.5
EER	11.3	11.3	10.9	10.9	9.9	9.9	9.0	9.0
CFM High	330	330	400	400	500	500	600	600
CFM Low	300	300	300	300	300	300	300	300
Conditioned Make Up Air (CFM)	55	55	55	55	55	55	55	55
Heat Capacity H.P (BTU/H)	8500	9000	11000	11000	15000	14500	16500	16500
Heat Power Input (Watts)	622	622	755	800	1041	1041	1466	1670
C.O.P.	3.3	3.3	3.1	3.1	3.0	3.0	2.9	2.9

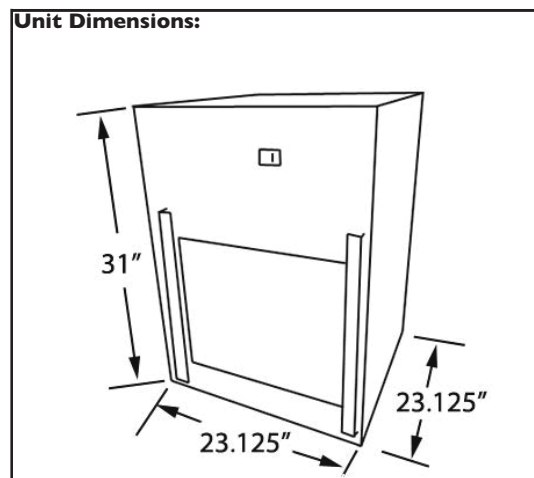
¹ AHAM condition 60% RH, 80 F ² High End Condition 88% RH, 82 F

Heating Option	Voltage (1)	Wattage	B.T.U.s (2)	Amps (3)	MCA (4)	MOD (Amps)	Power Cord
B	208	2,050	7,000	10.46	13.1	15	6-15
	230	2,500	8,535	11.47	14.3	15	6-15
	277	2,500	8,535	9.63	12.0	15	7-20
C	208	2,950	10,070	14.78	18.5	20	6-20
	230	3,600	12,290	16.25	20.3	20	6-20
	277	3,600	12,290	13.60	17.0	20	7-20
E	208	4,100	14,000	20.31	25.4	30	6-30
	230	5,000	17,070	22.34	27.9	30	6-30
	277	5,000	17,070	18.65	23.3	30	7-30

(1) Voltage is Single Phase, Alternating Current and R.M.S. (2) Heating Capacity (B.T.U./Hr.) based on indoor blower motor and heating elements. (3) Amp values are a combination of indoor blower motor and heating elements.

Line Voltage	Maximum Amperage	Wall Socket Configuration	Receptacle Number	Electrical Heat Options
115	16		NEMA 5-20R	N/A
208/230	12		NEMA 6-15R	N/A
208/230	16		NEMA 6-20R	2.5 - 3.6
208/230	24		NEMA 6-30R	4.2 - 5.0
277	16		NEMA 7-20R	2.5 - 5.0

Heating capacities specified in accordance with ARI standard 380-82 at conditions of 47 F WB outdoor and 70 F DB/60 F WB indoor. Wattage, Amperage, COP, EER listings include compressor, evaporator motor and condenser fan motor. Cooling capacities specified in accordance with ARI standard 380-82 at conditions of 95 F DB/75 F WB outdoor and 80 F DB/67 F WB indoor.



Islandaire has a policy of continuous improvement of its products and reserves the right to change the materials and specifications without notice.

22 Research Way • East Setauket, NY 11733
 Phone: 631-471-2900 • Toll Free: 800-886-2759 • Fax: 631-471-2913
 www.islandaire.com • sales@islandaire.com

EZ SERIES VP

THRU-THE-WALL/BUILT-IN AIR CONDITIONERS

PRODUCT SPECIFICATIONS

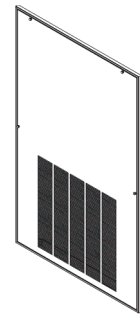
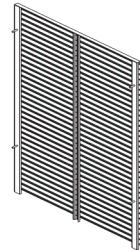
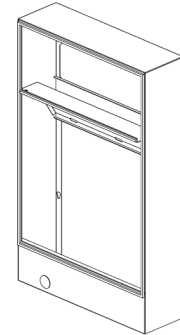


WALL PLENUMS					
PRODUCT NUMBER	DESCRIPTION	APPROX. WT.	DIMENSIONS		
			DEPTH	WIDTH	HEIGHT
2400831-00	EZVP Wall Plenum Assembly	70 lbs.	6.000"	19.875"	32.000"
2400833-00	EZVP Wall Plenum Assembly	70 lbs.	8.000"	19.875"	32.000"
2400835-00	EZVP Wall Plenum Assembly	70 lbs.	10.000"	19.875"	32.000"
2400837-00	EZVP Wall Plenum Assembly	70 lbs.	12.000"	19.875"	32.000"
2400840-00	EZVP Wall Plenum Assembly	70 lbs.	15.000"	19.875"	32.000"

LOUVERS					
PRODUCT NUMBER	DESCRIPTION	APPROX. WT.	DIMENSIONS		
			DEPTH	WIDTH	HEIGHT
6070431	EZVP Architectural Louver, External, Std.	10 lbs.	1.063"	19.875"	31.750"

ACCESS PANELS					
PRODUCT NUMBER	DESCRIPTION	APPROX. WT.	DIMENSIONS		
			DEPTH	WIDTH	HEIGHT
4084085-00	EZVP Access Panel w/ Return Air Grill	25 lbs.	1.923"	30.125"	50.125"

THERMOSTATS					
PRODUCT NUMBER	DESCRIPTION	APPROX. WT.	FEATURES		
			CONNECTION	STAGE	DISPLAY
6040523	Islandaire Non-Programmable Thermostat	3 lbs.	Wired	Single	LCD
6040730	White-Rogers Programmable 5/2 Day T-Stat	3 lbs.	Wired	Single	LCD
6040942	Telkonet EcoWave Thermostat Kit	3 lbs.	Wireless	Single	LCD



**Ask your salesman about
our DR. PTAC option!***



*100% conditioned
fresh air

**NEW!
Vertical Unit Available**

For New Construction
and as Replacement for:

GE AZ Vertical, Friedrich Vert-I-Pak
and First Company SPX



22 Research Way, East Setauket, NY 11733 • 1-800-886-2759
e-mail: sales@islandaire.com • www.islandaire.com
Ph: 631-471-2900 • Fax: 631-471-2913



Locally Represented By: