



# EZ Series VF

## Vertical Water Source Heat Pump Replaces McQuay and Singer

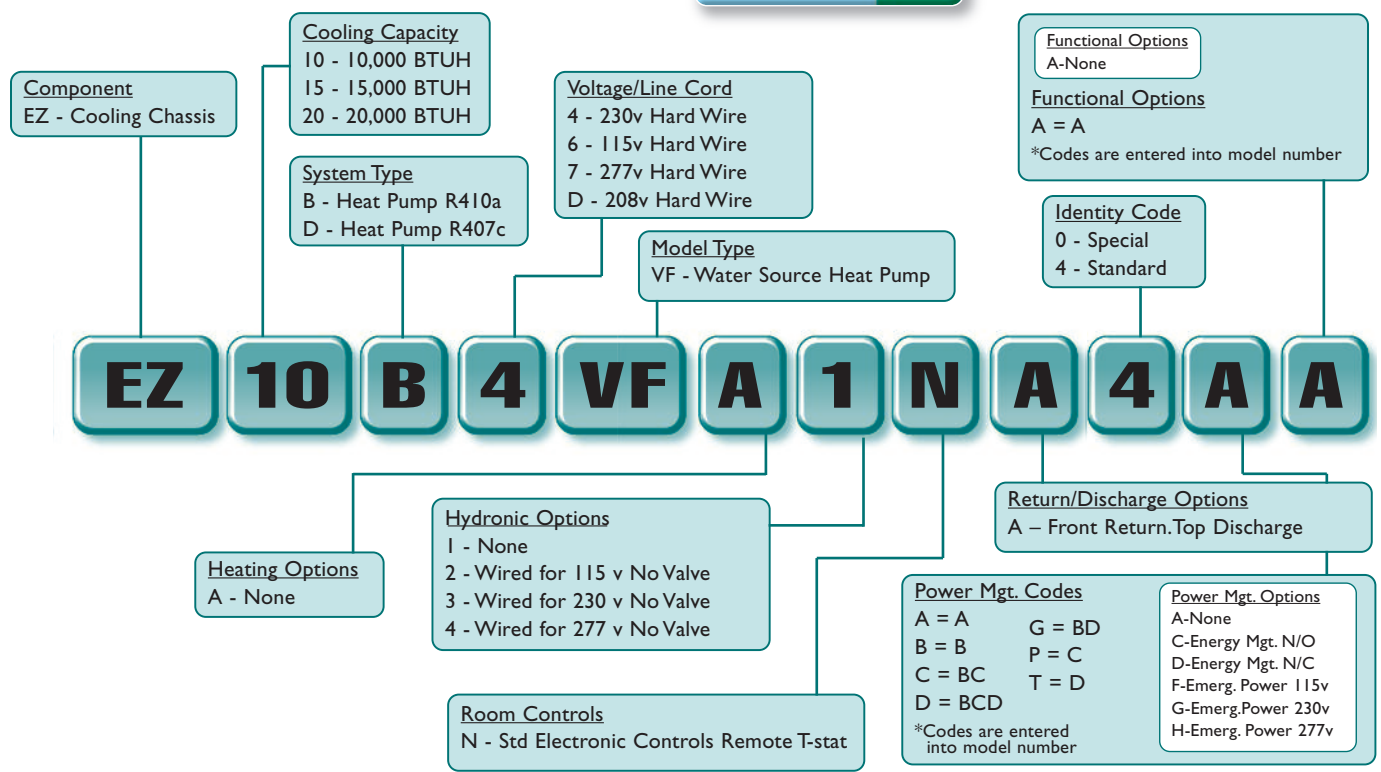
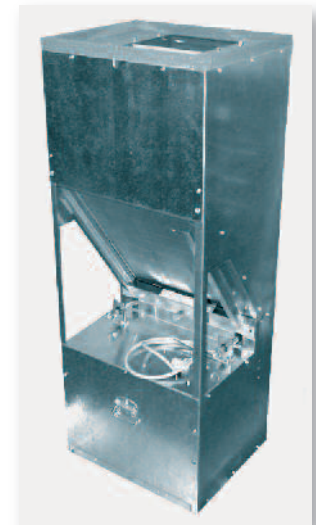
Islandaire "The Perfect Fit" units are designed to exactly replace the original, existing chassis! No field modification kits or builder renovations are required. Islandaire units are designed for optimal efficiency and reliability. This unit has the same locations for the drain, the water, and the electrical connections. These features will save time and money.

This appliance is intended for new construction or replacement of McQuay and Singer water source heat pumps. Please confirm that the electrical rating of this appliance matches the electrical supply available before beginning installation.

### Features on the EZ Series VF:

- Proudly made in the U.S.A
- Superior energy efficient ratios (EER)
- High efficiency coaxial condenser coil
- High efficiency evaporator coil
- Commercial duty construction with heavy gauge galvanized steel
- High pressure protection
- Compressor and water circuit freeze protection
- Refrigerant circuit access ports

Slide the old VF unit out, slide "The Perfect Fit" Islandaire unit in!  
No Renovations!



## MODELS

|                | EZ10     | EZ15     | EZ20     |
|----------------|----------|----------|----------|
| VOLTAGE HZ/PH. | 230/60/1 | 230/60/1 | 230/60/1 |
| BTUH COOLING   | 10,400   | 15,000   | 21,000   |
| TOTAL AMPS     | 4.8      | 7.5      | 9.1      |
| MAX. FUSE SIZE | 15       | 15       | 15       |
| MIN. VOLTS     | 197      | 197      | 197      |
| EER COOLING    | 12.0     | 10.6     | 13.6     |
| BTUH HEATING   | 11,600   | 18,100   | 23,600   |
| COP HEATING    | 3.8      | 3.4      | 4.2      |
| WATER COIL GPM | 2.0      | 3.0      | 4.7      |

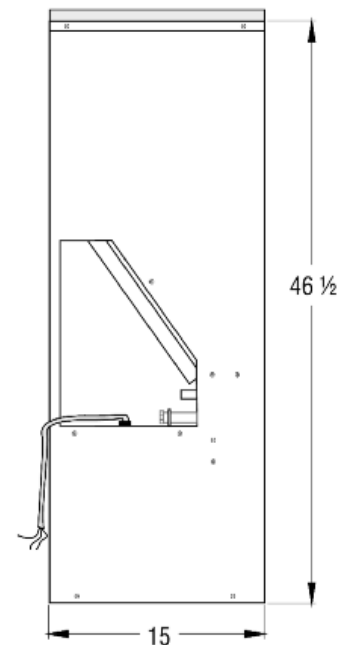
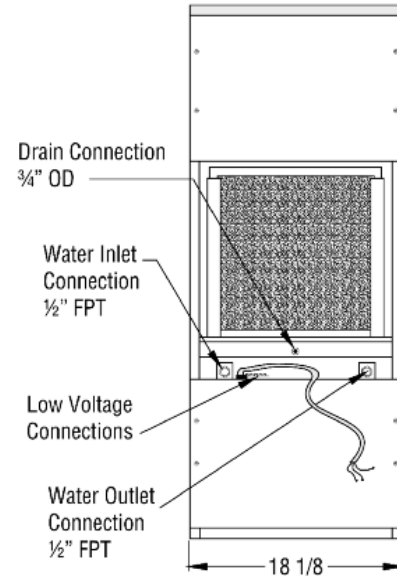
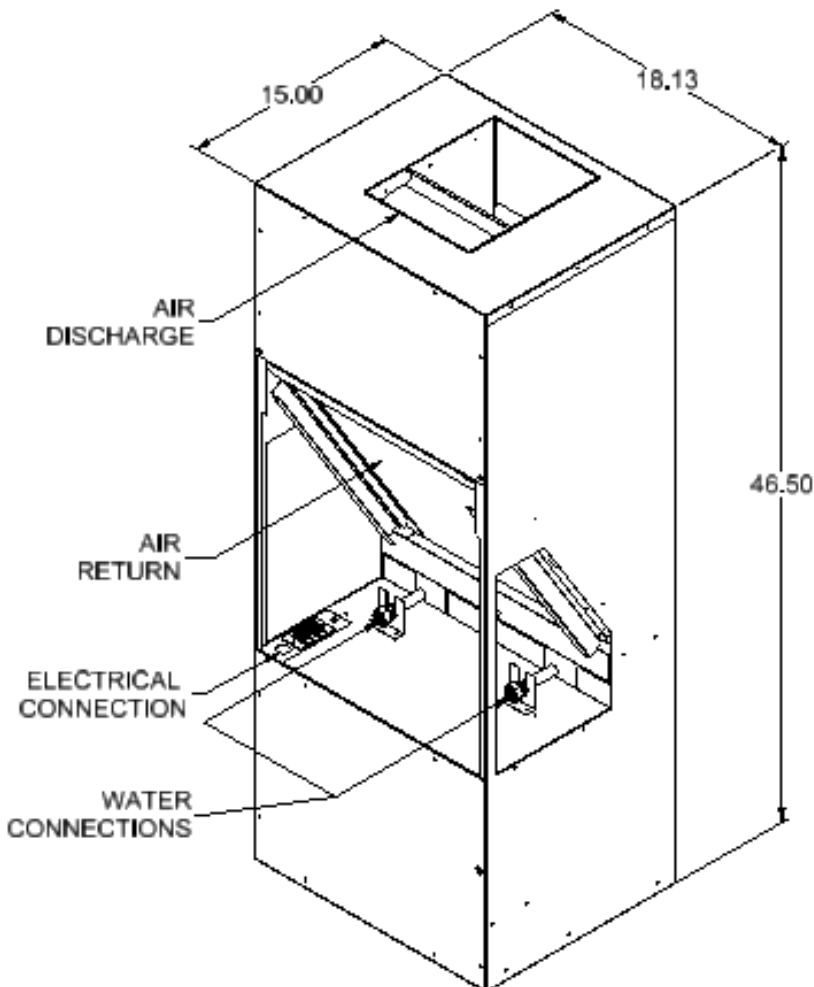
Note: Data based on ARI Standard 320

Cooling - Entering Air - 80 deg. F DB \67 DEG. F WB

- Entering Water - 85 deg. F

Heating - Entering Air - 70 deg. F DB

- Entering Water - 70 deg. F



Specifications are subject to change due to ongoing product development.