



EZ SERIES RM

Replacement for the Embassy Weathertwin, TPI Ra-Matic, Cool Heat, Ice Air, Simonaire and Zoneaire RM & SC Series

Islandaire EZ Series RM is a replacement for the Embassy Weathertwin, TPI Ra-Matic, Ice Cap, Ice Air, Simonaire, Cool Heat and Zoneaire models of RM and SC units. Our commercial duty construction with heavy gauge galvanized steel and superior components create an efficient reliable unit. This design eliminates the need for any interior or exterior renovation. Use of the existing wall sleeve-cabinet and louver saves time and money, two very important factors in today's competitive environment! If the need does occur where the wall sleeve-cabinet, hydronic coil and/or louver needs to be replaced, we manufacture these accessories as well. When ordering a sloped RM unit, a new custom room cabinet must be ordered. Consult your factory contact for pricing.

Ice Air and SimonAire units are manufactured in China.

This model is manufactured locally on Long Island, NY.

Support Made in the USA! Support Made in New York!

FEATURES

- Proudly Made in the U.S.A.
- ETL listed products
- Superior Energy Efficiency Ratios (EERs)
- Commercial Duty Construction with Heavy Gauge Galvanized Steel
- Designed for exact replacement of existing sleeve opening
- Energy Efficient Rotary Compressors
- P.S.C. Evaporator and Condenser Motors
- High-Efficiency Refrigeration Coils Used to Provide Superior Heat Transfer
- Units Available as Cooling only, Cooling with Electric Heat, Cooling with Hydronic Heat, or Heat Pumps
- Custom Options Available
- Available with State-of-the-Art Digital *Intellitemp™* Control System
- Available with wired and wireless wall thermostats
- NYC MEA Number 358-93-E

Voltage/Line Cord

- 1 - 115v 20 Amps
- 2 - 230v 20 Amps
- 3 - 230v 30 Amps
- 4 - 230v Junction Box
- 5 - 115v 15 Amps
- 6 - 115v Junction Box

- 7 - 277v 20 Amps
- 8 - 277v Junction Box
- 9 - 230v 15 Amps
- A - 208v 15 Amps
- B - 208v 20 Amps
- C - 208v 30 Amps
- D - 208v Junction Box

Cooling Capacity

- 07 - 7,500 BTUH
- 09 - 9,500 BTUH
- 12 - 12,000 BTUH
- 15 - 15,000 BTUH

Return/Discharge Options

- 1 - Bot. Ret./Top Dis.
- 2 - Bot. Ret./Front Dis.
- 3 - Bot. Ret./Ducted Top Dis.
- 4 - Front Ret./Top Dis.
- 5 - Front Ret./Front Dis.
- 6 - Front Ret./Ducted Top Dis.
- 7 - Sloped

Functional Options

- A- None
- B- Motorized Damper
- C- Fan Cycle Switch
- D- Indoor Freeze Protect
- E- Winter Operation
- F- Hi Pressure Cut Out

Functional Option Codes

- | | | |
|----------|---------|--------|
| A- A | M- BDE | Y- CE |
| B- B | N- BDEF | Z- CEF |
| C- BC | P- BDF | 1- CF |
| D- BCD | Q- BE | 2- D |
| E- BCDE | R- BEF | 3- DE |
| F- BCDEF | S- BF | 4- DEF |
| G- BCDF | T- C | 5- DF |
| H- BCE | U- CD | 6- E |
| J- BCEF | V- CDE | 7- EF |
| K- BCF | W- CDEF | 8- F |
| L- BD | X- CDF | |

*Codes are entered into model number.

Component

- EZ - Cooling Chassis

System Type

- A - Std. Chassis
- B - Heat Pump

Model Type

- RM - Zoneaire RM

Identity Code

- 0 - Special
- 4 - Standard

EZ 12 A 2 RM A 1 A 1 4 A A

Heating Options

- A - None Cooling Only
- B - 2.5 Kw Elec. Heat (208V-277V)
- C - 3.6 Kw Elec. Heat (208V-277V)
- D - 4.2 Kw Elec. Heat (208V-277V)
- E - 5.0 Kw Elec. Heat (230V-277V)
- F - Hyd. Fan Cycle W/T-Stat (115V-277V)
- G - Hyd. with Aquastat (115V-277V)
- H - Hyd. W/2.5 Kw B.U. Heat (208V-277V)
- I - Hyd. W/3.6 Kw B.U. Heat (208V-277V)
- Y - 1.3 Kw Elec. Heat (115V only)

Hydronic Options

- 1 - None
- 2 - 24v NC Valve
- 3 - 115v NC Valve
- 4 - 230v NC Valve
- 5 - 277v NC Valve
- 6 - 24v NO Valve
- 7 - 115v NO Valve
- 8 - 230v NO Valve
- 9 - 277v NO Valve
- A - Line Voltage NO/NC switch

Room Controls

- A - Unit Mounted Controls (MCO)
- B - Unit Mounted Controls (ACO)
- C - 24v Remote Thermostat
- F - Master
- G - Slave
- M - Intellitemp™ Controls (Remote T-Stat)
- N - Standard Electronic Controls (Remote T-Stat)
- S - Digital Controls (Unit Mounted)
- T - Intellitemp™ Controls (Unit Mounted)

Power Mgt. Options

- A- None
- B- Power Disconnect
- C- Energy Mgt. N/O
- D- Energy Mgt. N/C
- E- Emerg. Power 115V
- F- Emerg. Power 230V
- G- Emerg. Power 277V

*Codes are entered into model number.

Power Mgt. Codes

- | | |
|--------|-------|
| A- A | N- BG |
| B- B | P- C |
| C- BC | Q- CE |
| D- BCD | R- CF |
| E- BCF | S- CG |
| F- BCG | T- D |
| G- BD | U- DE |
| H- BDE | V- DF |
| J- BDF | W- DG |
| K- BDG | X- E |
| L- BE | Y- F |
| M- BF | Z- G |

*Specifications are subject to change due to ongoing product development.



MODELS

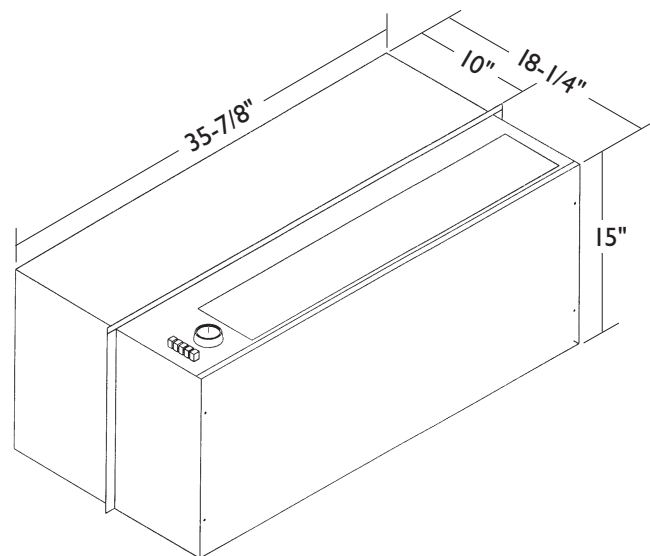
	EZ07				EZ09				EZ12				EZ16		
	115	230	208	277	115	230	208	277	115	230	208	277	230	208	277
BTUH COOLING	7,000	7,000	6,800	7,000	9,500	9,500	9,300	9,500	12,200	12,200	12,000	12,200	15,000	14,800	15,000
AMPS	6.76	3.30	3.70	2.81	8.76	4.38	4.85	3.64	11.66	5.83	6.45	4.84	7.99	8.9	6.63
WATTS COOLING	731	723	723	731	945	986	986	945	1,247	1,328	1,328	1,247	1,768	1,768	1,671
EER	9.58	9.68	9.41	9.58	10.05	9.63	9.43	10.05	9.78	9.19	9.04	9.78	8.48	8.37	8.98
CFM HIGH	340	340	320	340	400	400	380	400	400	400	380	400	460	440	460
CFM LOW	260	260	240	260	260	260	240	260	340	340	320	340	340	320	340
BTUH HEATING	7,100	7,100	6,900	7,100	9,300	9,300	9,100	9,300	11,400	11,400	11,200	11,400	14,300	14,200	14,800
WATTS HEATING	751	749	749	751	884	864	864	884	1,281	1,258	1,258	1,281	1,646	1,646	1,715
C.O.P.	2.77	2.78	2.70	2.77	3.09	3.16	3.09	3.09	2.61	2.66	2.61	2.61	2.55	2.53	2.53

Heating Option	Voltage (1)	Wattage	B.T.U.s (2)	Amps (3)
B	208	2,050	7,000	10.46
	230	2,500	8,535	11.47
	277	2,500	8,535	9.63
C	208	2,950	10,070	14.78
	230	3,600	12,290	16.25
	277	3,600	12,290	13.60
D	208	3,433	11,720	17.10
	230	4,200	14,330	18.86
	277	4,200	14,330	15.76
E	208	4,100	14,000	20.31
	230	5,000	17,070	22.34
	277	5,000	17,070	18.65

(1) Voltage is Single Phase, Alternating Current and R.M.S. (2) Heating Capacity (B.T.U./Hr.) based on indoor blower motor and heating elements. (3) Amp values are a combination of indoor blower motor and heating elements.

Line Voltage	Maximum Amperage	Wall Socket Configuration	Receptacle Number	Electrical Heat Options
115	16		NEMA 5-20R	N/A
208/230	12		NEMA 6-15R	N/A
208/230	16		NEMA 6-20R	2.5 - 3.6
208/230	24		NEMA 6-30R	4.2 - 5.0
277	16		NEMA 7-20R	2.5 - 5.0

Heating capacities specified in accordance with ARI standard 380-82 at conditions of 47°F WB outdoor and 70°F DB/60°F WB indoor. Wattage, Amperage, COP, EER listings include compressor, evaporator motor and condenser fan motor. Cooling capacities specified in accordance with ARI standard 380-82 at conditions of 95°F DB/75°F WB outdoor and 80°F DB/67°F WB indoor.



EZ SERIES RM

Unit Accessories

ENCLOSURES

PART NUMBER	DESCRIPTION	APPROX. WT.	DIMENSIONS		
			DEPTH	WIDTH	HEIGHT
4082530-00	EZRM Enclosure Assembly	50 lbs.	10.500"	48.000"	21.000"
4082531-00	EZRM Enclosure Assembly	50 lbs.	11.500"	48.000"	21.000"
4082532-00	EZRM Enclosure Assembly	50 lbs.	12.500"	48.000"	21.000"
4082533-00	EZRM Enclosure Assembly	50 lbs.	13.500"	48.000"	21.000"
4082534-00	EZRM Enclosure Assembly	50 lbs.	14.500"	48.000"	21.000"
4082535-00	EZRM Enclosure Assembly	50 lbs.	15.500"	48.000"	21.000"

WALL SLEEVES

PART NUMBER	DESCRIPTION	APPROX. WT.	DIMENSIONS		
			DEPTH	WIDTH	HEIGHT
2400432	EZRM Wall Sleeve Assembly, Standard	20 lbs.	11.000"	36.500"	16.000"
2400411	EZRM Wall Sleeve Assembly	20 lbs.	12.375"	36.500"	16.000"
2400412	EZRM Wall Sleeve Assembly	20 lbs.	13.375"	36.500"	16.000"
2400413	EZRM Wall Sleeve Assembly	20 lbs.	14.375"	36.500"	16.000"
2400414	EZRM Wall Sleeve Assembly	20 lbs.	15.375"	36.500"	16.000"
2400415	EZRM Wall Sleeve Assembly	20 lbs.	16.375"	36.500"	16.000"
2400416	EZRM Wall Sleeve Assembly	20 lbs.	17.375"	36.500"	16.000"
2400417	EZRM Wall Sleeve Assembly	20 lbs.	18.375"	36.500"	16.000"
2400418	EZRM Wall Sleeve Assembly	20 lbs.	19.375"	36.500"	16.000"
2400419	EZRM Wall Sleeve Assembly	20 lbs.	20.375"	36.500"	16.000"
2400420	EZRM Wall Sleeve Assembly	20 lbs.	21.375"	36.500"	16.000"
4090601	EZRM Internal/External Drain Kit	1 lb.	N/A	N/A	N/A

HYDRONIC COILS

PART NUMBER	DESCRIPTION	APPROX. WT.	DIMENSIONS		
			LENGTH	WIDTH	HEIGHT
6030036	EZRM Hydronic Coil, Headered, Top Mount	25 lbs.	30.940"	8.00"	2.000"
6030177	EZRM Hydronic Coil, Same End, Top Mount Kit	20 lbs.	30.940"	8.00"	2.000"
4090345	EZRM Exterior Louver, Hardware Kit	N/A	N/A	N/A	N/A

LOUVERS

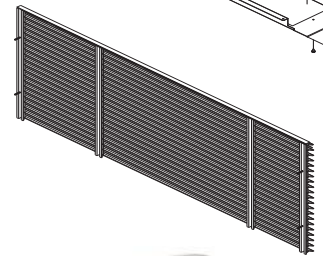
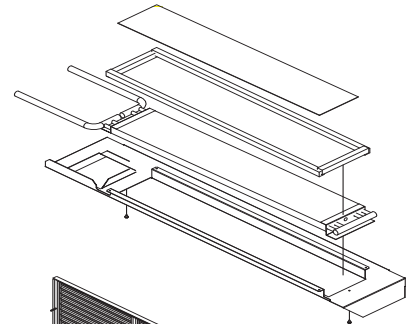
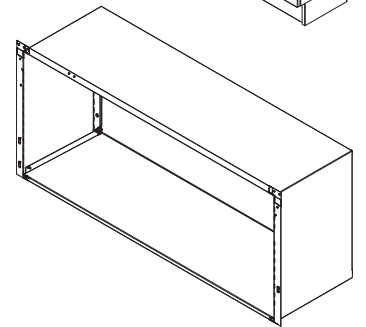
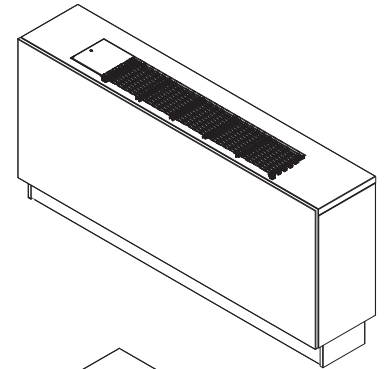
PART NUMBER	DESCRIPTION	APPROX. WT.	DIMENSIONS		
			DEPTH	WIDTH	HEIGHT
6070170	EZRM Exterior Architectural Louver, for 2400411 Sleeve	10 lbs.	1.164"	36.188"	15.680"
6070273	EZRM Exterior Architectural Louver, for 2400432 Sleeve	10 lbs.	1.164"	36.188"	15.680"

THERMOSTATS

PART NUMBER	DESCRIPTION	APPROX. WT.	FEATURES		
			CONNECTION	STAGE	DISPLAY
6040523	Islandaire Non-Programmable Thermostat	3 lbs.	Wired	Single	Horizontal
6040730	White-Rogers Programmable 5/2 days T-Stat	3 lbs.	Wired	Single	Horizontal
6040942	Islandaire Programmable Thermostat	3 lbs.	Wired	Single	Horizontal
6040824	Islandaire EZ Touch IR Non-Program T-Stat	3 lbs.	Infrared	Single	Vertical
6040935 - 6040936	Telkonet EcoWave Thermostat Kit	5 lbs.	Wireless	Single	Vertical

FILTERS

PART NUMBER	DESCRIPTION	APPROX. WT.	DIMENSIONS		
			DEPTH	WIDTH	HEIGHT
6080000	EZRM Aluminum Filter, Standard	2 lbs.	.250"	30.750"	8.50"



**Ask your salesman about
our DR. PTAC option! ***



*100% conditioned
fresh air

**NEW!
Vertical Unit Available**

For New Construction and
as Replacement for:

**GE AZ Vertical, Friedrich Vert-I-Pak
and First Company SPX**



22 Research Way, East Setauket, NY 11733 • 1-800-886-2759
e-mail: sales@islandaire.com • www.islandaire.com
Ph: 631-471-2900 • Fax: 631-471-2913



Locally Represented By: