

EZ

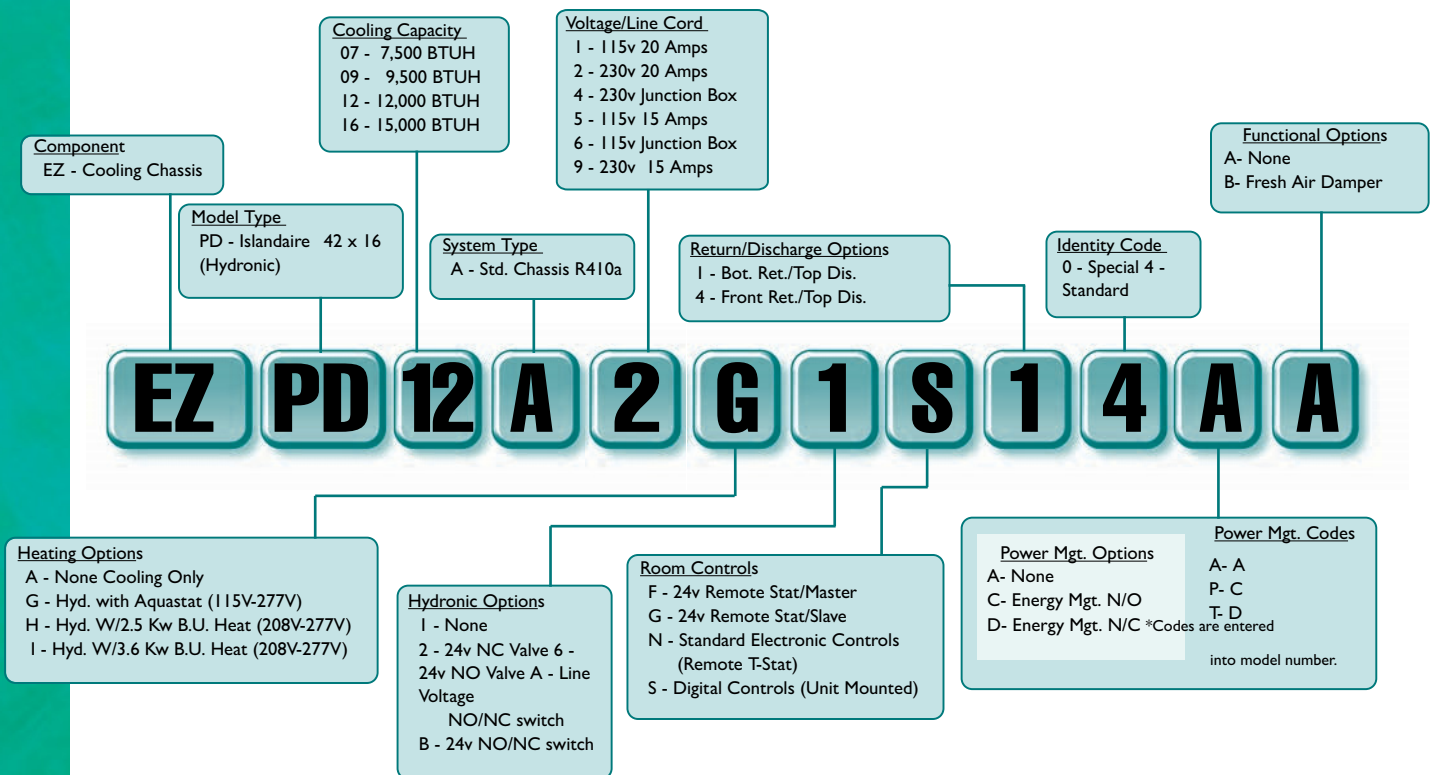
SERIES PD

New construction model and replacement for any 42 x 16 Unit

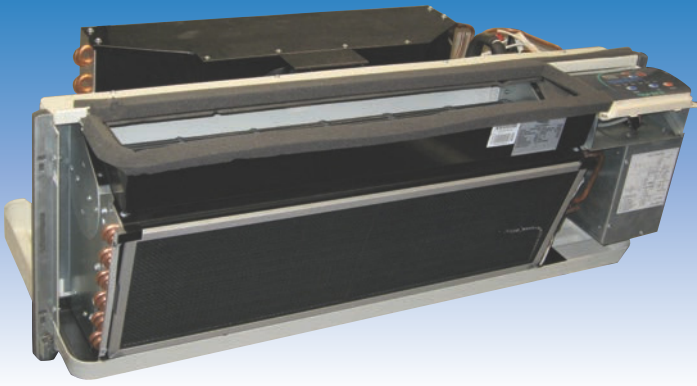
Islandaire EZ Series PD is our 42" x 16" new construction model and a replacement for any 42" x 16" unit with hydronic Heat. We can replace the McQuay PDNS and PDAN and the Amana and Trane hydronic Heat PTAC. Our commercial duty construction with heavy gauge galvanized steel and superior components create an efficient reliable unit. This design eliminates the need for any interior or exterior renovation. Use of the existing wall sleeve-cabinet and louver saves time and money, two very important factors in today's competitive environment! If the need does occur where the wall sleeve-cabinet and/or louver needs to be replaced, we manufacture these accessories as well. Hydronic coils, valves etc. are available.

FEATURES

- Proudly Made in the U.S.A.
- ETL listed products
- Superior Energy Efficiency Ratios (EERs)
- Commercial Duty Construction with Heavy Gauge Galvanized Steel
- Designed for exact replacement of existing sleeve opening
- Energy Efficient Rotary Compressors
- P.S.C. Evaporator and Condenser Motors
- High-Efficiency Refrigeration Coils
Used to Provide Superior Heat Transfer
- Units Available as Cooling only, Cooling with Electric Heat, Cooling with Hydronic Heat
- Custom Options Available
- Available with wired and wireless wall thermostats
- NYC MEA Number 358-93-E



*Specifications are subject to change due to ongoing product development.



Accessories:

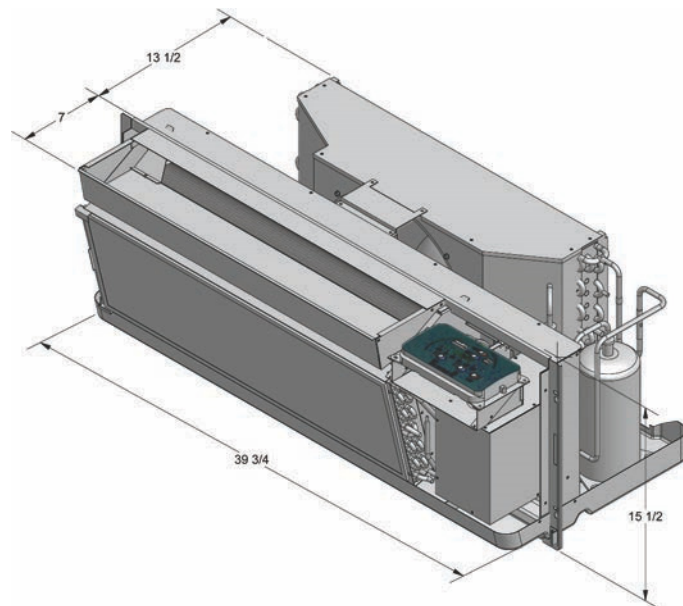
Please contact your customer representative

MODELS

	EZ07			EZ09			EZ12			EZ16	
Volts	115	230	208	115	230	208	115	230	208	230	208
BTUH Cooling	7,285	7,385	7,185	8,868	8,968	8,768	11,936	12,086	11,836	15,498	15,198
Amps Cool	4.51	2.79	2.79	6.91	3.90	3.90	9.58	5.00	5.00	7.1	7.1
Watts Cool	607	615	599	787	795	782	1191	1102	1084	1550	1546
EER	12.00	12.01	11.99	11.27	11.28	11.21	10.94	10.97	10.92	10.0	9.8
CFM High Cool	360	375	340	360	375	340	360	375	340	360	360
CFM Low Cool/Heat	260	275	240	260	275	240	260	275	240	260	260
Noise Indoor/Outdoor(DBA)	45/69	45/69	45/69	45/69	45/69	45/69	45/69	45/69	45/69	45/69	45/69
Refrigerant (Type)	R410A	R410A	R410A	R410A	R410A	R410A	R410A	R410A	R410A	R410A	R410A
Shipping Weight (lb)	132	132	132	132	132	132	137	137	137	143	143
STC (Unit off)*	26	26	26	26	26	26	26	26	26	26	26

Heating Option	Voltage (1)	Wattage	B.T.U.s (2)	Amps (3)
B	208	2,050	7,000	10.46
	230	2,500	8,535	11.47
	277	2,500	8,535	9.63
C	208	2,950	10,070	14.78
	230	3,600	12,290	16.25
	277	3,600	12,290	13.60

Cooling capacities specified in accordance with ARI standard 380-82 at conditions of 95°F DB/75°F WB Outdoor and 80°F DB/67°F WB indoor.



(1) Voltage is Single Phase, Alternating Current and R.M.S. (2) Heating Capacity (B.T.U./Hr.) based on indoor blower motor and Heating elements. (3) Amp values are a combination of indoor blower motor and Heating elements.

Line Voltage	Maximum Amperage	Wall Socket Configuration	Receptacle Number	Electrical Heat Options
115	16		NEMA 5-20R	N/A
208/230	12		NEMA 6-15R	N/A
208/230	16		NEMA 6-20R	2.5 - 3.6
208/230	24		NEMA 6-30R	4.2 - 5.0
277	16		NEMA 7-20R	2.5 - 5.0

NYC MEA# 358-93-E

