



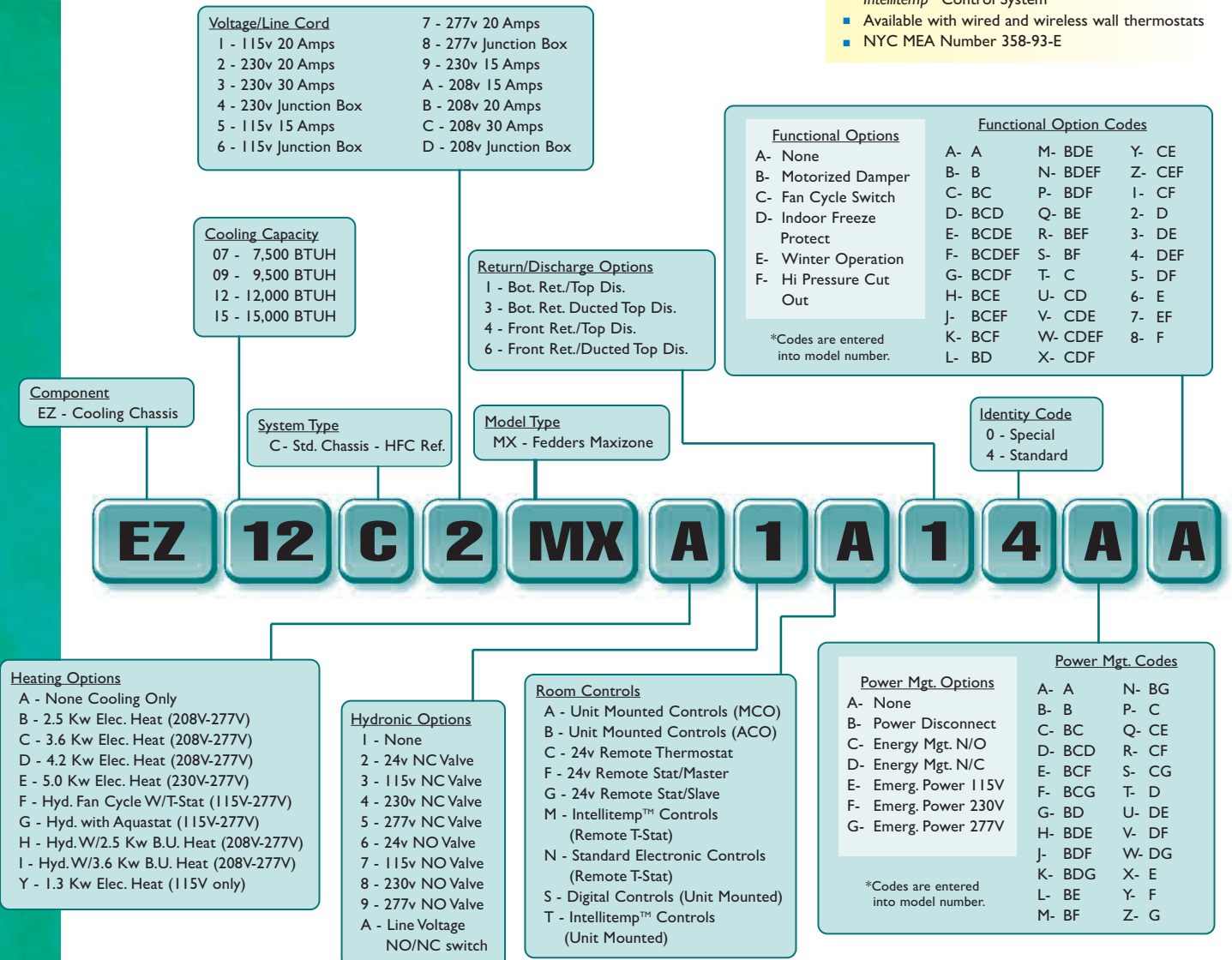
EZ SERIES MX

Replacement for the Fedders Maxizone

Islandaire EZ Series MX is a replacement for the Fedders Maxizone unit. Our commercial duty construction with heavy gauge galvanized steel and superior components create an efficient reliable unit. This design eliminates the need for any interior or exterior renovation. Use of the existing wall sleeve-cabinet and louver saves time and money, two very important factors in today's competitive environment! If the need does occur where the wall sleeve-cabinet and/or louver needs to be replaced, we manufacture these accessories as well. New York MX units do not come with a built in front enclosure as part of the unit. Separate front enclosure, wall sleeve and louver are available. Non New York units come with a built in front enclosure and ducting is available.

FEATURES

- Proudly Made in the U.S.A.
- ETL listed products
- Superior Energy Efficiency Ratios (EERs)
- Commercial Duty Construction with Heavy Gauge Galvanized Steel
- Designed for exact replacement of existing sleeve opening
- Energy Efficient Rotary Compressors
- P.S.C. Evaporator and Condenser Motors
- High-Efficiency Refrigeration Coils Used to Provide Superior Heat Transfer
- Units Available as Cooling only, Cooling with Electric Heat, Cooling or with Hydronic Heat
- Custom Options Available
- Available with State-of-the-Art Digital *Intellitemp™* Control System
- Available with wired and wireless wall thermostats
- NYC MEA Number 358-93-E



*Specifications are subject to change due to ongoing product development.



MODELS

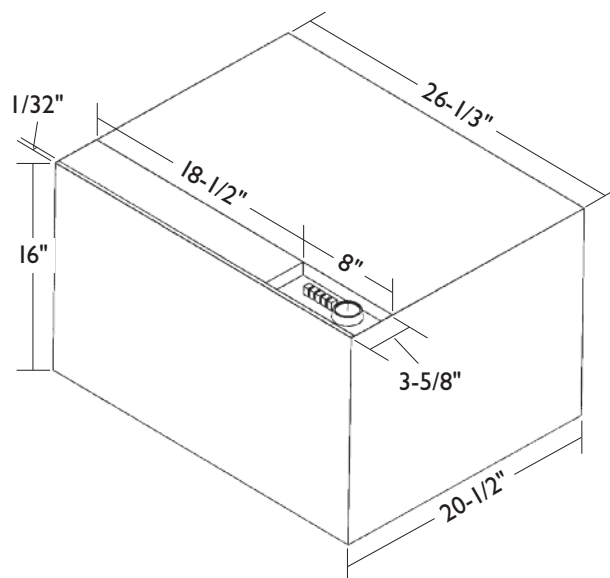
	EZ07				EZ09				EZ12				EZ15		
VOLTS	115	230	208	277	115	230	208	277	115	230	208	277	230	208	277
BTUH COOLING	7,000	7,000	6,800	7,000	9,500	9,500	9,300	9,500	12,200	12,200	12,000	12,200	15,000	14,800	15,000
AMPS	6.76	3.30	3.70	2.81	8.76	4.38	4.85	3.64	11.66	5.83	6.45	4.84	7.99	8.9	6.63
WATTS COOLING	731	723	723	731	945	986	986	945	1,247	1,328	1,328	1,247	1,768	1,768	1,671
EER	9.58	9.68	9.41	9.58	10.05	9.63	9.43	10.05	9.78	9.19	9.04	9.78	8.48	8.37	8.98
CFM HIGH	340	340	320	340	400	400	380	400	400	400	380	400	460	440	460
CFM LOW	260	260	240	260	260	260	240	260	340	340	320	340	340	320	340
BTUH HEATING	7,100	7,100	6,900	7,100	9,300	9,300	9,100	9,300	11,400	11,400	11,200	11,400	14,300	14,200	14,800
WATTS HEATING	751	749	749	751	884	864	864	884	1,281	1,258	1,258	1,281	1,646	1,646	1,715
C.O.P.	2.77	2.78	2.70	2.77	3.09	3.16	3.09	3.09	2.61	2.66	2.61	2.61	2.55	2.53	2.53

Heating Option	Voltage (1)	Wattage	B.T.U.s (2)	Amps (3)
B	208	2,050	7,000	10.46
	230	2,500	8,535	11.47
	277	2,500	8,535	9.63
C	208	2,950	10,070	14.78
	230	3,600	12,290	16.25
	277	3,600	12,290	13.60
D	208	3,433	11,720	17.10
	230	4,200	14,330	18.86
	277	4,200	14,330	15.76
E	208	4,100	14,000	20.31
	230	5,000	17,070	22.34
	277	5,000	17,070	18.65

(1) Voltage is Single Phase, Alternating Current and R.M.S. (2) Heating Capacity (B.T.U./Hr.) based on indoor blower motor and heating elements. (3) Amp values are a combination of indoor blower motor and heating elements.

Line Voltage	Maximum Amperage	Wall Socket Configuration	Receptacle Number	Electrical Heat Options
115	16		NEMA 5-20R	N/A
208/230	12		NEMA 6-15R	N/A
208/230	16		NEMA 6-20R	2.5 - 3.6
208/230	24		NEMA 6-30R	4.2 - 5.0
277	16		NEMA 7-20R	2.5 - 5.0

Heating capacities specified in accordance with ARI standard 380-82 at conditions of 47°F WB outdoor and 70°F DB/60°F WB indoor. Wattage, Amperage, COP, EER listings include compressor, evaporator motor and condenser fan motor. Cooling capacities specified in accordance with ARI standard 380-82 at conditions of 95°F DB/75°F WB outdoor and 80°F DB/67°F WB indoor.



EZ SERIES MX

Unit Accessories

ENCLOSURES

PART NUMBER	DESCRIPTION	APPROX. WT.	DIMENSIONS		
			DEPTH	WIDTH	HEIGHT
4080254	EZMX Enclosure Assembly, Standard (for NY only)	50 lbs.	12.000"	44.000"	21.000"
4080269	EZMX Enclosure Assembly 44 x 21 x 10 (for NY only)	50 lbs.	10.000"	44.000"	21.000"
4081566	EZMX Enclosure Assembly 48 x 21 x 12 (for NY only)	50 lbs.	12.000"	48.000"	21.000"
4081761	EZMX Enclosure Assembly 44 x 30.5 x 15.8 (for NY only)	50 lbs.	15.832"	44.000"	30.500"

*All other MX units - if enclosure is required must indicate on order: 0 = mini enclosure

WALL SLEEVES

PART NUMBER	DESCRIPTION	APPROX. WT.	DIMENSIONS		
			DEPTH	WIDTH	HEIGHT
2400051	EZMX Wall Sleeve Assembly, Standard	20 lbs.	18.125"	27.125"	16.875"
2400581	EZMX Wall Sleeve Assembly, Custom	20 lbs.	16.875"	27.125"	16.875"
2400612	EZMX Wall Sleeve Baffle Extension	5 lbs.	2.000"	16.660"	16.668"

HYDRONIC COILS

PART NUMBER	DESCRIPTION	APPROX. WT.	DIMENSIONS		
			LENGTH	WIDTH	HEIGHT
6030051	EZMX Hydronic Coil Top Mounted, Standard	20 lbs.	20.000"	3.750"	2.000"
6030077	EZMX Hydronic Coil Top Mounted, RTS	20 lbs.	33.875"	4.000"	.866"
6030098	EZMX Hydronic Coil Bottom Mounted	20 lbs.	31.250"	4.000"	1.732"
6030241	EZMX Hydronic Coil Assembly, Custom	25 lbs.	23.738"	4.000"	.866"

LOUVERS

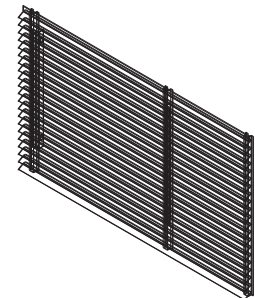
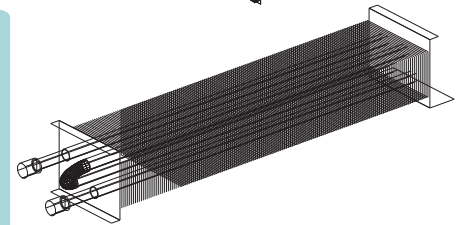
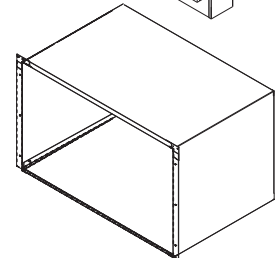
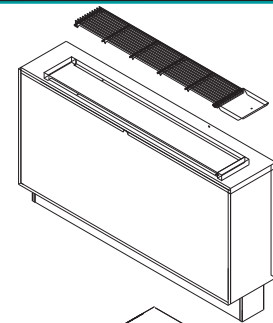
PART NUMBER	DESCRIPTION	APPROX. WT.	DIMENSIONS		
			DEPTH	WIDTH	HEIGHT
6070053	EZMX Exterior Louver, Standard	15 lbs.	1.625"	26.626"	16.500"

THERMOSTATS

PART NUMBER	DESCRIPTION	APPROX. WT.	FEATURES		
			CONNECTION	STAGE	DISPLAY
6040523	Islandaire Non-Programmable Thermostat	3 lbs.	Wired	Single	Horizontal
6040730	White-Rogers Programmable 5/2 days Thermostat	3 lbs.	Wired	Single	Horizontal
6040942	Islandaire Programmable Thermostat	3 lbs.	Wired	Single	Horizontal
6040824	Islandaire EZ Touch IR Non-Program Thermostat	3 lbs.	Infrared	Single	Vertical
6040935 - 6040936	Telkonet EcoWave Thermostat Kit	5 lbs.	Wireless	Single	Vertical

FILTERS

PART NUMBER	DESCRIPTION	APPROX. WT.	DIMENSIONS		
			DEPTH	WIDTH	HEIGHT
6080034	EZMX Aluminum Filter, Standard	2 lbs.	.250"	26.626"	16.50"



Ask your salesman about
our DR. PTAC option! *



*100% conditioned
fresh air

NEW!
Vertical Unit Available

For New Construction and
as Replacement for:

**GE AZ Vertical, Friedrich Vert-I-Pak
and First Company SPX**



22 Research Way, East Setauket, NY 11733 • 1-800-886-2759
e-mail: sales@islandaire.com • www.islandaire.com
Ph: 631-471-2900 • Fax: 631-471-2913



Locally Represented By: