



# EZ SERIES JK

## Replacement for the Slant Fin JK Upflow and Downflow

Islandaire EZ Series JK is a replacement for the Slant Fin model of JK upflow and downflow units. Our commercial duty construction with heavy gauge galvanized steel and superior components create an efficient reliable unit. This design eliminates the need for any interior or exterior renovation. Use of the existing wall sleeve-cabinet and louver saves time and money, two very important factors in today's competitive environment! Please specify if you are replacing a unit with electric heat, hydronic heat and/or an upflow or downflow design, because the room cabinet that comes with each unit is specific to each. Note: Downflow available in non-heat pump and electronic controls only.

### FEATURES

- Proudly Made in the U.S.A.
- ETL listed products
- Superior Energy Efficiency Ratios (EERs)
- Commercial Duty Construction with Heavy Gauge Galvanized Steel
- Designed for exact replacement of existing sleeve opening
- Energy Efficient Rotary Compressors
- P.S.C. Evaporator and Condenser Motors
- High-Efficiency Refrigeration Coils Used to Provide Superior Heat Transfer
- Units Available as Cooling only, Cooling with Electric Heat, Cooling with Hydronic Heat, or Heat Pumps
- Custom Options Available
- Available with State-of-the-Art Digital *Intellitemp™* Control System
- Available with wired and wireless wall thermostats
- NYC MEA Number 358-93-E

Voltage/Line Cord	
1 - 115v 20 Amps	7 - 277v 20 Amps
2 - 230v 20 Amps	8 - 277v Junction Box
3 - 230v 30 Amps	9 - 230v 15 Amps
4 - 230v Junction Box	A - 208v 15 Amps
5 - 115v 15 Amps	B - 208v 20 Amps
6 - 115v Junction Box	C - 208v 30 Amps
	D - 208v Junction Box

Cooling Capacity	
07 - 7,500 BTUH	
09 - 9,500 BTUH	
12 - 12,000 BTUH	
15 - 15,000 BTUH	

**Model Type**  
Jk - Slant Fin JK

Functional Options	Functional Option Codes		
A- None	A- A	M- BDE	Y- CE
B- Motorized Damper	B- B	N- BDEF	Z- CEF
C- Fan Cycle Switch	C- BC	P- BDF	1- CF
D- Indoor Freeze Protect	D- BCD	Q- BE	2- D
E- Winter Operation	E- BCDE	R- BEF	3- DE
F- Hi Pressure Cut Out	F- BCDEF	S- BF	4- DEF
	G- BCDF	T- C	5- DF
	H- BCE	U- CD	6- E
	J- BCEF	V- CDE	7- EF
	K- BCF	W- CDEF	8- F
	L- BD	X- CDF	

\*Codes are entered into model number.

**Component**  
EZ - Cooling Chassis

**System Type**  
A - Std. Chassis R410a  
B - Heat Pump R410a

**Return/Discharge Options**  
1 - Bot. Ret./Top Dis.  
4 - Front Ret./Top Dis.  
8 - Down Flow

**Identity Code**  
0 - Special  
4 - Standard

**EZ 12 A 2 JK A 1 A 1 4 A A**

**Heating Options**

A - None Cooling Only
B - 2.5 Kw Elec. Heat (208V-277V)
C - 3.6 Kw Elec. Heat (208V-277V)
D - 4.2 Kw Elec. Heat (208V-277V)
E - 5.0 Kw Elec. Heat (230V-277V)
F - Hyd. Fan Cycle W/T-Stat (115V-277V)
G - Hyd. with Aquastat (115V-277V)
H - Hyd. W/2.5 Kw B.U. Heat (208V-277V)
I - Hyd. W/3.6 Kw B.U. Heat (208V-277V)

**Hydronic Options**

1 - None
2 - 24v NC Valve
3 - 115v NC Valve
4 - 230v NC Valve
5 - 277v NC Valve
6 - 24v NO Valve
7 - 115v NO Valve
8 - 230v NO Valve
9 - 277v NO Valve
A - Line Voltage NO/NC switch

**Room Controls**

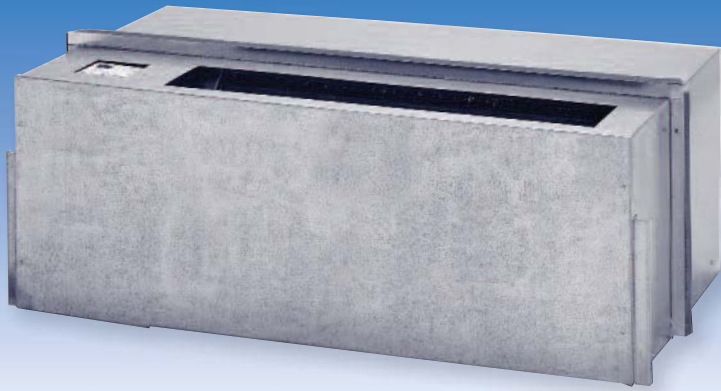
A - Unit Mounted Controls (MCO)
B - Unit Mounted Controls (ACO)
C - 24v Remote Thermostat
F - 24v Remote Stat/Master
G - 24v Remote Stat/Slave
M - Intellitemp™ Controls (Remote T-Stat)
N - Standard Electronic Controls (Remote T-Stat)
S - Digital Controls (Unit Mounted)
T - Intellitemp™ Controls (Unit Mounted)

**Power Mgt. Codes**

Power Mgt. Options	Power Mgt. Codes	
A- None	A- A	N- BG
B- Power Disconnect	B- B	P- C
C- Energy Mgt. N/O	C- BC	Q- CE
D- Energy Mgt. N/C	D- BCD	R- CF
E- Emerg. Power 115V	E- BCF	S- CG
F- Emerg. Power 230V	F- BCG	T- D
G- Emerg. Power 277V	G- BD	U- DE
	H- BDE	V- DF
	J- BDF	W- DG
	K- BDG	X- E
	L- BE	Y- F
	M- BF	Z- G

\*Codes are entered into model number.

\*Specifications are subject to change due to ongoing product development.



## MODELS

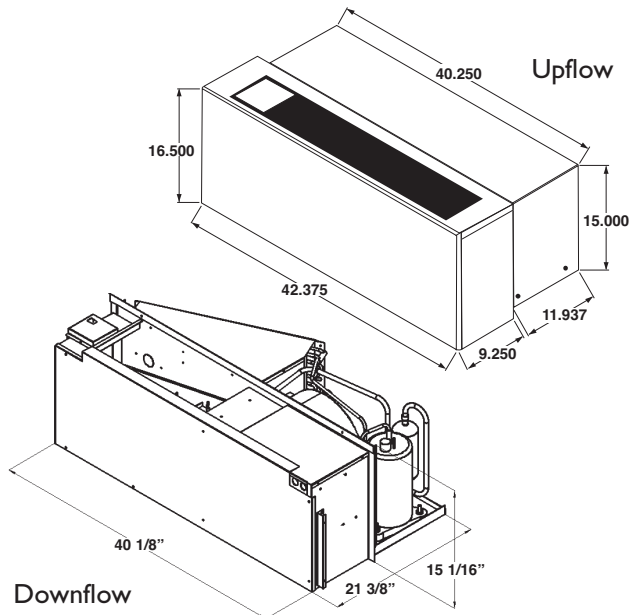
	EZ07				EZ09				EZ12				EZ15		
	115	230	208	277	115	230	208	277	115	230	208	277	230	208	277
<b>BTUH COOLING</b>	7,000	7,000	6,800	7,000	9,500	9,500	9,300	9,500	12,200	12,200	12,000	12,200	15,000	14,800	15,000
<b>AMPS</b>	6.76	3.30	3.70	2.81	8.76	4.38	4.85	3.64	11.66	5.83	6.45	4.84	7.99	8.9	6.63
<b>WATTS COOLING</b>	731	723	723	731	945	986	986	945	1,247	1,328	1,328	1,247	1,768	1,768	1,671
<b>EER</b>	9.58	9.68	9.41	9.58	10.05	9.63	9.43	10.05	9.78	9.19	9.04	9.78	8.48	8.37	8.98
<b>CFM HIGH</b>	340	340	320	340	400	400	380	400	400	400	380	400	460	440	460
<b>CFM LOW</b>	260	260	240	260	260	260	240	260	340	340	320	340	340	320	340
<b>BTUH HEATING</b>	7,100	7,100	6,900	7,100	9,300	9,300	9,100	9,300	11,400	11,400	11,200	11,400	14,300	14,200	14,800
<b>WATTS HEATING</b>	751	749	749	751	884	864	864	884	1,281	1,258	1,258	1,281	1,646	1,646	1,715
<b>C.O.P.</b>	2.77	2.78	2.70	2.77	3.09	3.16	3.09	3.09	2.61	2.66	2.61	2.61	2.55	2.53	2.53

Heating Option	Voltage (1)	Wattage	B.T.U.s (2)	Amps (3)
B	208	2,050	7,000	10.46
	230	2,500	8,535	11.47
	277	2,500	8,535	9.63
C	208	2,950	10,070	14.78
	230	3,600	12,290	16.25
	277	3,600	12,290	13.60
D	208	3,433	11,720	17.10
	230	4,200	14,330	18.86
	277	4,200	14,330	15.76
E	208	4,100	14,000	20.31
	230	5,000	17,070	22.34
	277	5,000	17,070	18.65

(1) Voltage is Single Phase, Alternating Current and R.M.S. (2) Heating Capacity (B.T.U./Hr.) based on indoor blower motor and heating elements. (3) Amp values are a combination of indoor blower motor and heating elements.

Line Voltage	Maximum Amperage	Wall Socket Configuration	Receptacle Number	Electrical Heat Options
115	16		NEMA 5-20R	N/A
208/230	12		NEMA 6-15R	N/A
208/230	16		NEMA 6-20R	2.5 - 3.6
208/230	24		NEMA 6-30R	4.2 - 5.0
277	16		NEMA 7-20R	2.5 - 5.0

Heating capacities specified in accordance with ARI standard 380-82 at conditions of 47°F WB outdoor and 70°F DB/60°F FWB indoor. Wattage, Amperage, COP, EER listings include compressor, evaporator motor and condenser fan motor. Cooling capacities specified in accordance with ARI standard 380-82 at conditions of 95°F DB/75°F FWB outdoor and 80°F DB/67°F FWB indoor.

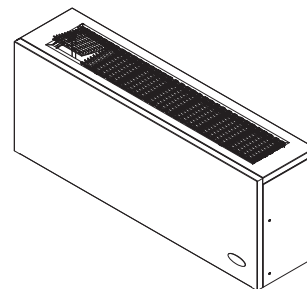


# EZ SERIES JK

## Unit Accessories & Specifications

### ENCLOSURES

PART NUMBER	DESCRIPTION	APPROX. WT.	DIMENSIONS		
			DEPTH	WIDTH	HEIGHT
4080079-00	EZJK Enclosure Assembly, Electric Heat, Upflow	50 lbs.	10.000"	42.375"	16.500"
4082343-00	EZJK Enclosure Assembly, Electric Heat, Downflow	50 lbs.	10.125"	42.375"	16.500"
4080454-00	EZJK Enclosure Assembly for Hydronic Heat, Upflow	50 lbs.	10.000"	42.375"	16.500"
1800052-00	EZJK Unit Front Panel	10 lbs.	.500"	40.375"	14.890"



### WALL SLEEVES

PART NUMBER	DESCRIPTION	APPROX. WT.	DIMENSIONS		
			DEPTH	WIDTH	HEIGHT
N/A	Wall Sleeves are not available for the EZ Series JK model	N/A	N/A	N/A	N/A

### HYDRONIC COILS

PART NUMBER	DESCRIPTION	APPROX. WT.	DIMENSIONS		
			LENGTH	WIDTH	HEIGHT
6030068	EZJK Hydronic Coil Top Mount	25 lbs.	33.000"	7.650"	2.290"
6040506	EZJK Steam Valve, 208v, normally closed, 1/2", sweat	10 lbs.	N/A	N/A	N/A
6040507	EZJK Steam Valve, 208v, normally closed, 1/2", thread	10 lbs.	N/A	N/A	N/A



### LOUVERS

PART NUMBER	DESCRIPTION	APPROX. WT.	DIMENSIONS		
			DEPTH	WIDTH	HEIGHT
N/A	Louvers are not available for the EZ Series JK model	N/A	N/A	N/A	N/A

### THERMOSTATS

PART NUMBER	DESCRIPTION	APPROX. WT.	FEATURES		
			CONNECTION	STAGE	DISPLAY
6040523	Islandaire Non-Programmable Thermostat	3 lbs.	Wired	Single	Horizontal
6040730	White-Rogers Programmable 5/2 days Thermostat	3 lbs.	Wired	Single	Horizontal
6040942	Islandaire Programmable Thermostat	3 lbs.	Wired	Single	Horizontal
6040824	Islandaire EZ Touch IR Non-Program Thermostat	3 lbs.	Infrared	Single	Vertical
6040935 - 6040936	Telkonet EcoWave Thermostat Kit	5 lbs.	Wireless	Single	Vertical



### FILTERS

PART NUMBER	DESCRIPTION	APPROX. WT.	DIMENSIONS		
			DEPTH	WIDTH	HEIGHT
6080000	EZJA Aluminum Filter, Standard	2 lbs.	.250"	30.750"	8.50"



Ask your salesman about  
our DR. PTAC option! \*



\*100% conditioned  
fresh air

**NEW!**  
**Vertical Unit Available**

For New Construction and  
as Replacement for:

**GE AZ Vertical, Friedrich Vert-I-Pak  
and First Company SPX**



22 Research Way, East Setauket, NY 11733 • 1-800-886-2759  
e-mail: [sales@islandaire.com](mailto:sales@islandaire.com) • [www.islandaire.com](http://www.islandaire.com)  
Ph: 631-471-2900 • Fax: 631-471-2913



Locally Represented By: