



# EZ SERIES JA

Replacement for the Remington, McQuay and Singer J

Islandaire EZ Series JA is a replacement for the Remington, McQuay and Singer models of J units. Our commercial duty construction with heavy gauge galvanized steel and superior components create an efficient reliable unit. This design eliminates the need for any interior or exterior renovation. Use of the existing wall sleeve-cabinet and louver saves time and money, two very important factors in today's competitive environment! You must order a complete unit, cooling chassis, fan deck, digital or Intellitemp™ control box and new front panel.

## FEATURES

- Proudly Made in the U.S.A.
- ETL listed products
- Superior Energy Efficiency Ratios (EERs)
- Commercial Duty Construction with Heavy Gauge Galvanized Steel
- Designed for exact replacement of existing sleeve opening
- Energy Efficient Rotary Compressors
- P.S.C. Evaporator and Condenser Motors
- High-Efficiency Refrigeration Coils Used to Provide Superior Heat Transfer
- Units Available as Cooling only, Cooling with Electric Heat, Cooling with Hydronic Heat
- Custom Options Available
- Available with State-of-the-Art Digital Intellitemp™ Control System
- Available with wired and wireless wall thermostats
- NYC MEA Number 358-93-E

<b>Voltage/Line Cord</b>	7 - 277v 20 Amps
1 - 115v 20 Amps	8 - 277v Junction Box
2 - 230v 20 Amps	9 - 230v 15 Amps
3 - 230v 30 Amps	A - 208v 15 Amps
4 - 230v Junction Box	B - 208v 20 Amps
5 - 115v 15 Amps	C - 208v 30 Amps
6 - 115v Junction Box	D - 208v Junction Box

<b>Cooling Capacity</b>
09 - 9,500 BTUH
12 - 12,000 BTUH

<b>Model Type</b>
JA - Remington, McQuay, Singer

<b>Functional Options</b>	<b>Functional Option Codes</b>		
A- None	A- A	M- BDE	Y- CE
B- Motorized Damper	B- B	N- BDEF	Z- CEF
C- Fan Cycle Switch	C- BC	P- BDF	1- CF
D- Indoor Freeze Protect	D- BCD	Q- BE	2- D
E- Winter Operation	E- BCDE	R- BEF	3- DE
F- Hi Pressure Cut Out	F- BCDEF	S- BF	4- DEF
	G- BCDF	T- C	5- DF
	H- BCE	U- CD	6- E
	J- BCEF	V- CDE	7- EF
	K- BCF	W- CDEF	8- F
	L- BD	X- CDF	

\*Codes are entered into model number.

<b>Component</b>
EZ - Cooling Chassis

<b>System Type</b>
C - Std. Chassis HFC Ref.

<b>Return/Discharge Options</b>
1 - Bot. Ret./Top Dis.

<b>Identity Code</b>
0 - Special
4 - Standard



<b>Heating Options</b>
A - None Cooling Only
B - 2.5 Kw Elec. Heat (208V-277V)
C - 3.6 Kw Elec. Heat (208V-277V)
D - 4.2 Kw Elec. Heat (208V-277V)
E - 5.0 Kw Elec. Heat (230V-277V)
F - Hyd. Fan Cycle W/T-Stat (115V-277V)
G - Hyd. with Aquastat (115V-277V)

<b>Hydronic Options</b>
1 - None
2 - 24v NC Valve
3 - 115v NC Valve
4 - 230v NC Valve
5 - 277v NC Valve
6 - 24v NO Valve
7 - 115v NO Valve
8 - 230v NO Valve
9 - 277v NO Valve

<b>Room Controls</b>
C - 24v Remote Thermostat
F - 24v Remote Stat/Master
G - 24v Remote Stat/Slave
M - Intellitemp™ Controls (Remote T-Stat)
N - Standard Electronic Controls (Remote T-Stat)
S - Digital Controls (Unit Mounted)
T - Intellitemp™ Controls (Unit Mounted)

<b>Power Mgt. Codes</b>	
<b>Power Mgt. Options</b>	A- A
A- None	P- C
C- Energy Mgt. N/O	Q- CE
D- Energy Mgt. N/C	R- CF
E- Emerg. Power 115V	S- CG
F- Emerg. Power 230V	T- D
G- Emerg. Power 277V	U- DE
	V- DF
	W- DG
	X- E
	Y- F
	Z- G

\*Codes are entered into model number.

\*Specifications are subject to change due to ongoing product development.



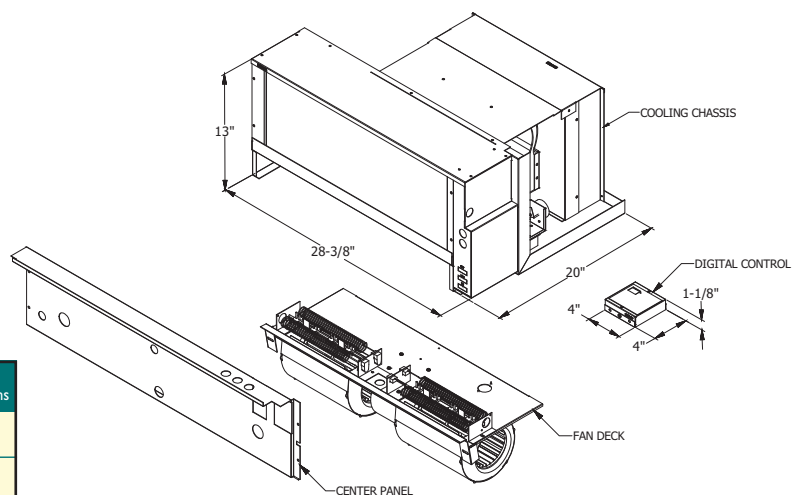
MODELS									
	EZ09				EZ12				
VOLTS	115	230	208	277	115	230	208	277	
BTUH COOLING	9,500	9,500	9,300	9,500	12,200	12,200	12,000	12,200	
AMPS	8.76	4.38	4.85	3.64	11.66	5.83	6.45	4.84	
WATTS COOLING	945	986	986	945	1,247	1,328	1,328	1,247	
EER	10.05	9.63	9.43	10.05	9.78	9.19	9.04	9.78	
CFM HIGH	400	400	380	400	400	400	380	400	
CFM LOW	260	260	240	260	340	340	320	340	
BTUH HEATING	9,300	9,300	9,100	9,300	N/A	N/A	N/A	N/A	
WATTS HEATING	884	864	864	884	N/A	N/A	N/A	N/A	
C.O.P.	3.09	3.16	3.09	3.09	N/A	N/A	N/A	N/A	

Heating Option	Voltage (1)	Wattage	B.T.U.s (2)	Amps (3)
B	208	2,050	7,000	10.46
	230	2,500	8,535	11.47
	277	2,500	8,535	9.63
C	208	2,950	10,070	14.78
	230	3,600	12,290	16.25
	277	3,600	12,290	13.60
D	208	3,433	11,720	17.10
	230	4,200	14,330	18.86
	277	4,200	14,330	15.76
E	208	4,100	14,000	20.31
	230	5,000	17,070	22.34
	277	5,000	17,070	18.65

(1) Voltage is Single Phase, Alternating Current and R.M.S. (2) Heating Capacity (B.T.U./Hr.) based on indoor blower motor and heating elements. (3) Amp values are a combination of indoor blower motor and heating elements.

Line Voltage	Maximum Amperage	Wall Socket Configuration	Receptacle Number	Electrical Heat Options
115	16		NEMA 5-20R	1.3
208/230	12		NEMA 6-15R	2.5
208/230	16		NEMA 6-20R	2.5 - 3.6
208/230	24		NEMA 6-30R	4.2 - 5.0
277	16		NEMA 7-20R	2.5 - 5.0

Heating capacities specified in accordance with ARI standard 380-82 at conditions of 47°F WB outdoor and 70°F DB/60°F WB indoor. Wattage, Amperage, C.O.P., EER listings include compressor, evaporator motor and condenser fan motor. Cooling capacities specified in accordance with ARI standard 380-82 at conditions of 95°F DB/75°F WB outdoor and 80°F DB/67°F WB indoor.

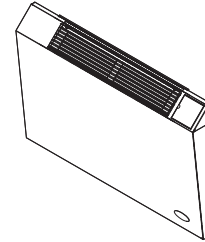


# EZ SERIES JA

## Unit Accessories

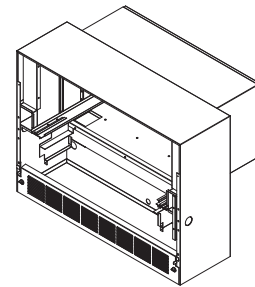
### ENCLOSURES

PART NUMBER	DESCRIPTION	APPROX. WT.	DIMENSIONS		
			DEPTH	WIDTH	HEIGHT
4080075-00	EZJA Front Panel, Bottom Return	20 lbs.	3.875"	35.881"	23.001"
1800162	EZJA Center Panel (if needed)	5 lbs.	3.500"	34.985"	8.673"
4083640-00	EZJA Enclosure Filler, Custom	10 lbs.	7.125"	36.000"	26.750"



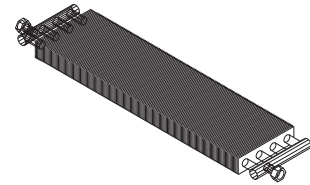
### WALL SLEEVES

PART NUMBER	DESCRIPTION	APPROX. WT.	DIMENSIONS		
			DEPTH	WIDTH	HEIGHT
2400632-00	EZJA Wall Sleeve Assembly, Standard	30 lbs.	20.310"	36.000"	26.750"



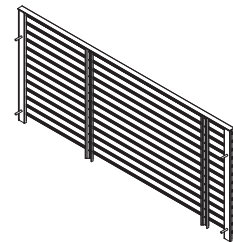
### HYDRONIC COILS

PART NUMBER	DESCRIPTION	APPROX. WT.	DIMENSIONS		
			LENGTH	WIDTH	HEIGHT
6030086	EZJA Hydronic Coil, Headered, Opposite End	25 lbs.	25.000"	5.800"	1.250"



### LOUVERS

PART NUMBER	DESCRIPTION	APPROX. WT.	DIMENSIONS		
			DEPTH	WIDTH	HEIGHT
6070322	EZJA Exterior Louver, Standard	15 lbs.	1.125"	29.750"	13.562"



### THERMOSTATS

PART NUMBER	DESCRIPTION	APPROX. WT.	FEATURES		
			CONNECTION	STAGE	DISPLAY
6040523	Islandaire Non-Programmable Thermostat	3 lbs.	Wired	Single	Horizontal
6040730	White-Rogers Programmable 5/2 days Thermostat	3 lbs.	Wired	Single	Horizontal
6040942	Islandaire Programmable Thermostat	3 lbs.	Wired	Single	Horizontal
6040824	Islandaire EZ Touch IR Non-Program Thermostat	3 lbs.	Infrared	Single	Vertical
6040935 - 6040936	Telkonet EcoWave Thermostat Kit	5 lbs.	Wireless	Single	Vertical



### FILTERS

PART NUMBER	DESCRIPTION	APPROX. WT.	DIMENSIONS		
			DEPTH	WIDTH	HEIGHT
6080024	EZJA Aluminum Filter, Standard	2 lbs.	.250"	34.625"	7.375"



**Ask your salesman about  
our DR. PTAC option! \***



\*100% conditioned  
fresh air

**NEW!  
Vertical Unit Available**

For New Construction and  
as Replacement for:

**GE AZ Vertical, Friedrich Vert-I-Pak  
and First Company SPX**



22 Research Way, East Setauket, NY 11733 • 1-800-886-2759  
e-mail: [sales@islandaire.com](mailto:sales@islandaire.com) • [www.islandaire.com](http://www.islandaire.com)  
Ph: 631-471-2900 • Fax: 631-471-2913



Locally Represented By: