

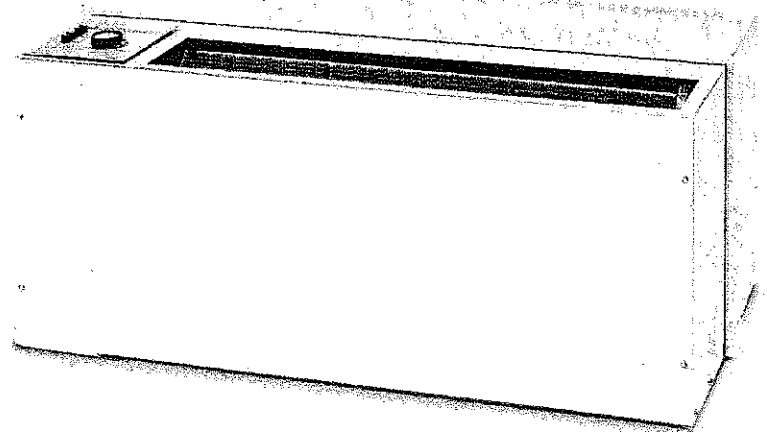
# E Z S E R I E S F M

P A C K A G E D T E R M I N A L A I R C O N D I T I O N E R S  
A N D H E A T P U M P S .

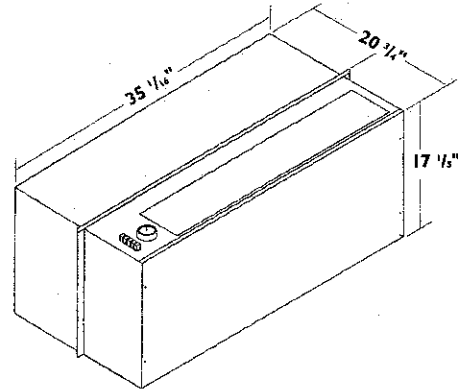
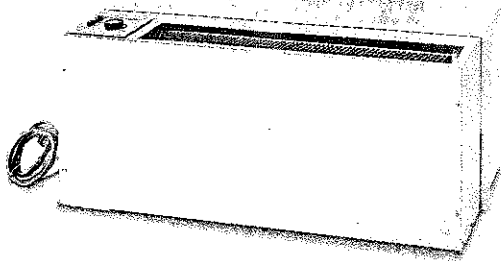
REPLACEMENT FOR THE  
SLANT FIN MONTEREY

## F E A T U R E S

- ▼ Superior Energy Efficiency Ratios (EERs).
- ▼ Commercial Duty Construction with Heavy Gauge Galvanized Steel.
- ▼ Positive Condensate Removal System Reduces Condensate Staining.
- ▼ All Chassis Proudly Made in the U.S.A.
- ▼ Rotary and Reciprocating Compressors Available.
- ▼ Emerson, General Electric, and MagneTek P.S.C. Evaporator and Condenser Motors Used.
- ▼ High Tech Rifled and Enhanced Refrigeration Coils Used to Provide Superior Heat Transfer.
- ▼ Ranco Thermostats Provide Accurate, Dependable Temperature Sensing.
- ▼ Units Available as Cooling only, Cooling with Electric Heat, Cooling with Hydronic Heat, or Heat Pumps.
- ▼ Custom Options Available.
- ▼ Available with State-of-the-Art Digital *Intellitemp*™ Control System.



# EZ SERIES FM



## M O D E L S

	EZ09		EZ12		EZ15	
Volts	230	277	230	277	230	277
BTUH Cooling	9500	9500	12200	12200	15000	15500
Amps	4.0	3.2	5.1	4.1	6.3	5.6
Watts	917	888	1180	1145	1462	1552
EER	10.3	10.6	10.3	10.7	10.3	10.0
CFM High	400	420	440	460	440	460
CFM Low	260	280	260	280	260	280
BTUH Heat Pump	9300	9300	11400	11400	14300	14800
Watts	901	871	1014	979	1290	1380
COP	3.03	3.13	3.30	3.41	3.25	3.14

Heating capacities specified in accordance with ARI standard 380-82 at conditions of 47°F FWB outdoor and 70°F DB/60°F DB indoor. Wattage, Amperage, COP, EER listings include compressor, evaporator motor and condenser fan motor. Cooling capacities specified in accordance with ARI standard 380-82 at conditions of 95°F DB/75°F FWB outdoor and 80°F DB/67°F FWB indoor.

Heating Option	Voltage (1)	Wattage	B.T.U.s (2)	Amps (3)
B	208	2,050	7,000	10.46
	230	2,500	8,535	11.47
	277	2,500	8,535	9.63
C	208	2,950	10,070	14.78
	230	3,600	12,290	16.25
	277	3,600	12,290	13.60
D	208	3,433	11,720	17.10
	230	4,200	14,330	18.86
	277	4,200	14,330	15.76
E	208	4,100	14,000	20.31
	230	5,000	17,070	22.34
	277	5,000	17,070	18.65

(1) Voltage is Single Phase, Alternating Current and RMS. (2) Heating Capacity (B.T.U./Hr) based on indoor blower motor and heating elements. (3) Amp values are a combination of indoor blower motor and heating elements.

Line Voltage	Maximum Amperage	Wall Socket Configuration	Receptacle Number	Electrical Heat Options
115	16		NEMA 5-20R	N/A
208/230	16		NEMA 6-20R	2.5 - 3.6
208/230	24		NEMA 6-30R	4.2 - 5.0
277	16		NEMA 7-20R	2.5 - 5.0



Toll Free (800) 886-2759 • www.islandaire.com



Islandaire reserves the right to make changes in design and construction at any time without notice.