



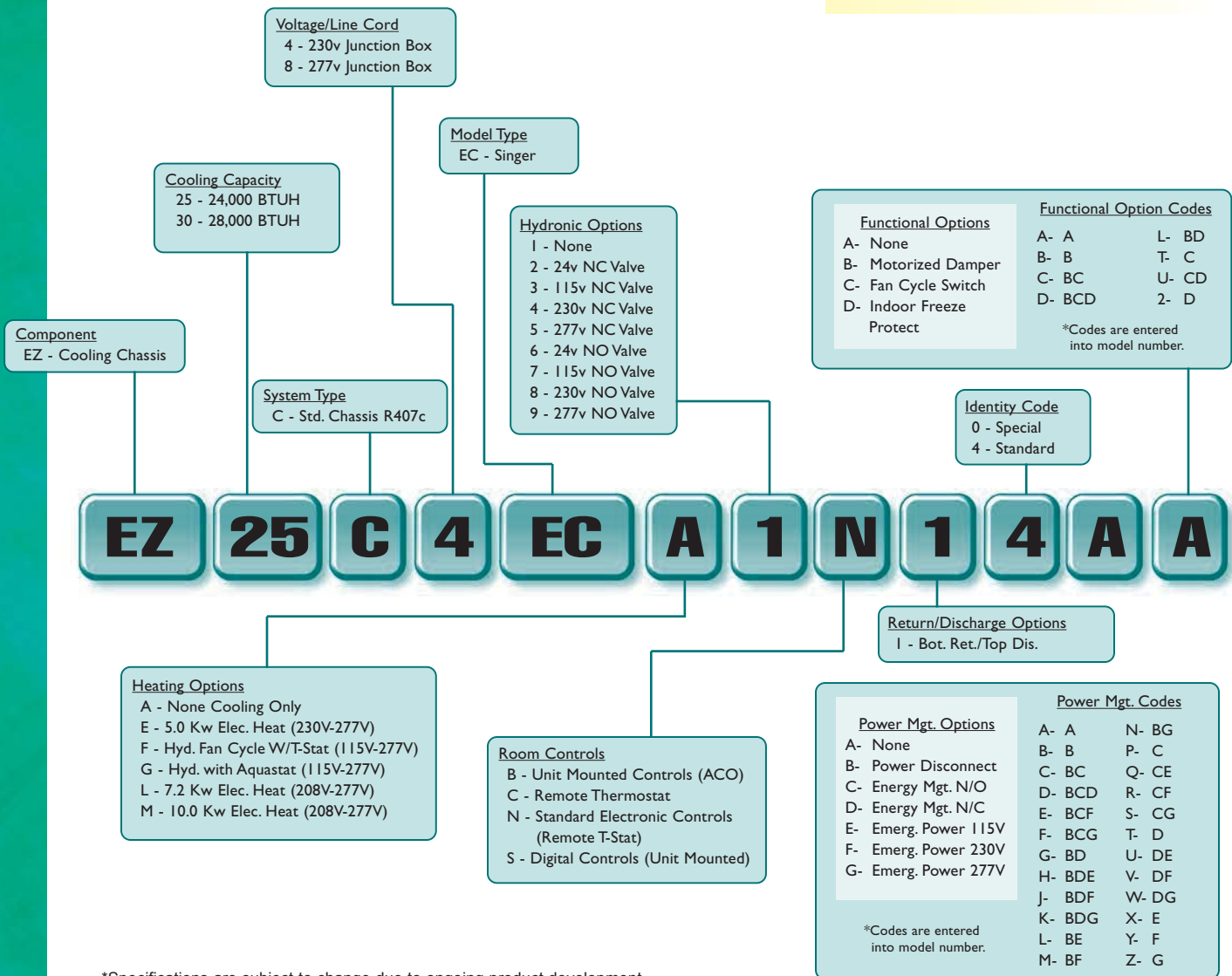
EZ SERIES EC

Replacement for the Singer and McQuay C/EC

Islandaire EZ Series EC is a replacement for the Singer and McQuay models of C/EC units. Our commercial duty construction with heavy gauge galvanized steel and superior components create an efficient reliable unit. This design eliminates the need for any interior or exterior renovation. Use of the existing wall sleeve-cabinet and louver saves time and money, two very important factors in today's competitive environment! If the need does occur where the wall sleeve-cabinet and/or louver needs to be replaced, we manufacture these accessories. Mounted controls are auto change over. **MUST ORDER UNIT COMPLETE!**

FEATURES

- Proudly Made in the U.S.A.
- Superior Energy Efficiency Ratios (EERs)
- Commercial Duty Construction with Heavy Gauge Galvanized Steel
- Designed for exact replacement of existing sleeve opening
- Energy Efficient Rotary Compressors
- P.S.C. Evaporator and Condenser Motors
- High-Efficiency Refrigeration Coils Used to Provide Superior Heat Transfer
- Units Available as Cooling only, Cooling with Electric Heat, or Cooling with Hydronic Heat
- Custom Options Available
- Available with State-of-the-Art Digital *Intellitemp*™ Control System
- Available with wired and wireless wall thermostats
- NYC MEA Number 358-93-E



*Specifications are subject to change due to ongoing product development.

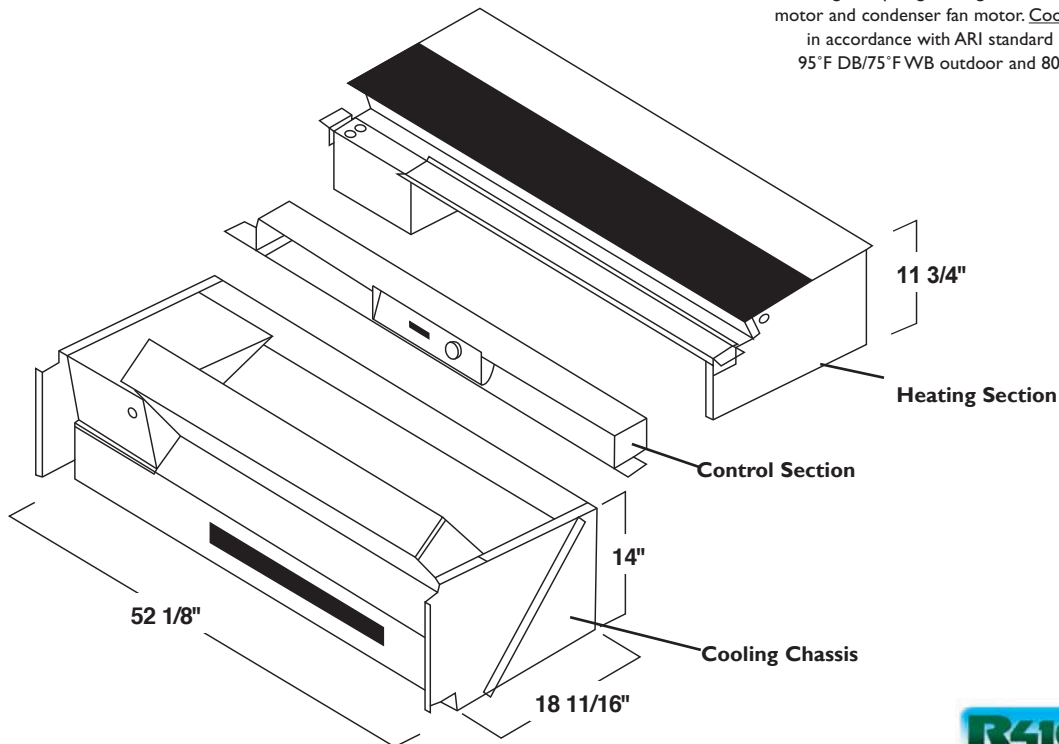


Heating Option	Voltage (1)	Wattage	B.T.U.s (2)	Amps (3)
E	230	5,000	17,070	22.34
	277	5,000	17,070	18.65
L	230	7,200	24,550	32.8
	277	7,200	24,550	27.4
M	230	10,000	34,100	44.9
	277	10,000	34,100	37.6

(1) Voltage is Single Phase, Alternating Current and R.M.S. (2) Heating Capacity (B.T.U./Hr.) based on indoor blower motor and heating elements. (3) Amp values are a combination of indoor blower motor and heating elements.

MODELS				
	EZ25		EZ30	
VOLTS	230	277	230	277
BTUH/HR	23,000	24,000	27,500	27,500
AMPS	15.2	15.3	19.2	17.3
WATTS	3321	3850	4190	3270
CFM HIGH	600	600	600	600
CFM LOW	525	525	525	525

Wattage, Amperage, listings include compressor, evaporator motor and condenser fan motor. Cooling capacities specified in accordance with ARI standard 380-93 at conditions of 95°F DB/75°F WB outdoor and 80°F DB/67°F WB indoor.



NYC MEA# 358-93-E



EZ SERIES EC

Unit Accessories

ENCLOSURES

PART NUMBER	DESCRIPTION	APPROX. WT.	DIMENSIONS		
			DEPTH	WIDTH	HEIGHT
4080281-00	EZEC Enclosure Assembly	20 lbs.	15.000"	70.000"	28.800"
4080590-00	EZEC Enclosure Assembly	20 lbs.	15.000"	70.000"	33.000"
4081531-00	EZEC Enclosure Assembly Filler	10 lbs.	6.000"	70.080"	28.000"

WALL SLEEVES

PART NUMBER	DESCRIPTION	APPROX. WT.	DIMENSIONS		
			DEPTH	WIDTH	HEIGHT
2400130	EZEC Wall Sleeve Assembly, Standard	30 lbs.	19.560"	54.500"	27.345"

HYDRONIC COILS

PART NUMBER	DESCRIPTION	APPROX. WT.	DIMENSIONS		
			LENGTH	WIDTH	HEIGHT
6030087	EZEC Hydronic Serpentine Coil,	25 lbs.	49.450"	6.000"	1.250"

LOUVERS

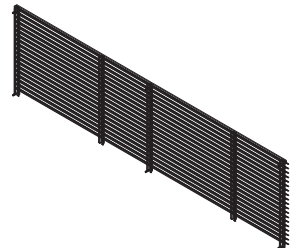
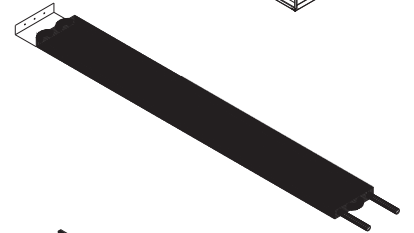
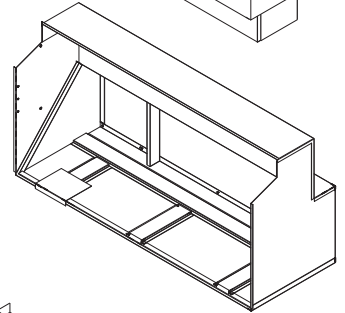
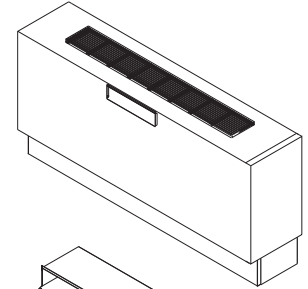
PART NUMBER	DESCRIPTION	APPROX. WT.	DIMENSIONS		
			DEPTH	WIDTH	HEIGHT
6070169	EZEC Exterior Louver,	15 lbs.	.450"	54.218"	15.250"

THERMOSTATS

PART NUMBER	DESCRIPTION	APPROX. WT.	FEATURES		
			CONNECTION	STAGE	DISPLAY
6040523	Islandaire Non-Programmable Thermostat	3 lbs.	Wired	Single	Horizontal
6040730	White-Rogers Programmable 5/2 days Thermostat	3 lbs.	Wired	Single	Horizontal
6040942	Islandaire Programmable Thermostat	3 lbs.	Wired	Single	Horizontal
6040824	Islandaire EZ Touch IR Non-Program Thermostat	3 lbs.	Infrared	Single	Vertical
6040935 - 6040936	Telkonet EcoWave Thermostat Kit	5 lbs.	Wireless	Single	Vertical

FILTERS

PART NUMBER	DESCRIPTION	APPROX. WT.	DIMENSIONS		
			DEPTH	WIDTH	HEIGHT
6080003	EZEC Aluminum Filter, Standard	2 lbs.	.250"	18.000"	12.000"



**Ask your salesman about
our DR. PTAC option! ***



*100% conditioned
fresh air

**NEW!
Vertical Unit Available**

For New Construction and
as Replacement for:

**GE AZ Vertical, Friedrich Vert-I-Pak
and First Company SPX**



22 Research Way, East Setauket, NY 11733 • 1-800-886-2759
e-mail: sales@islandaire.com • www.islandaire.com
Ph: 631-471-2900 • Fax: 631-471-2913



Locally Represented By: