

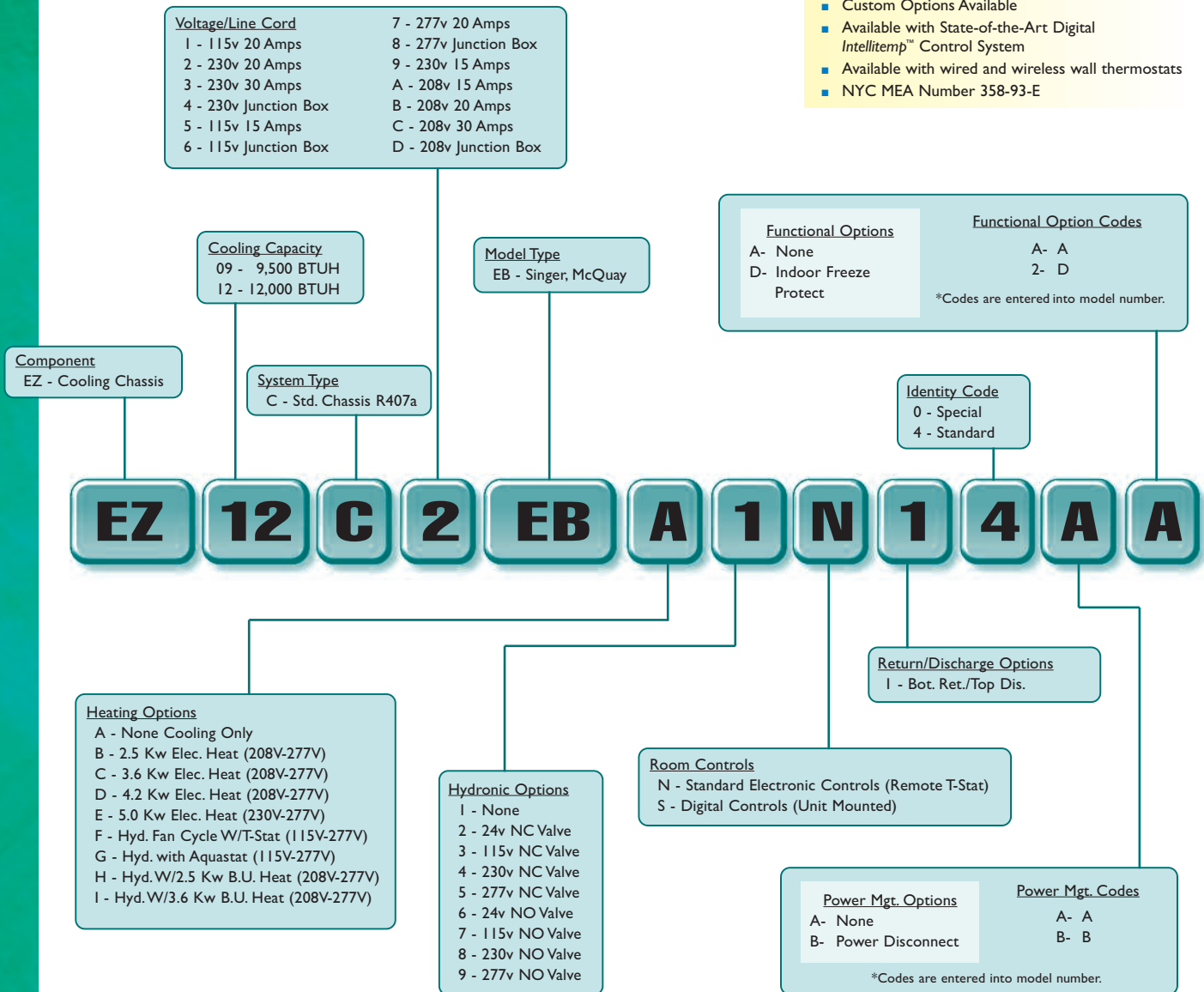


# EZ SERIES EB

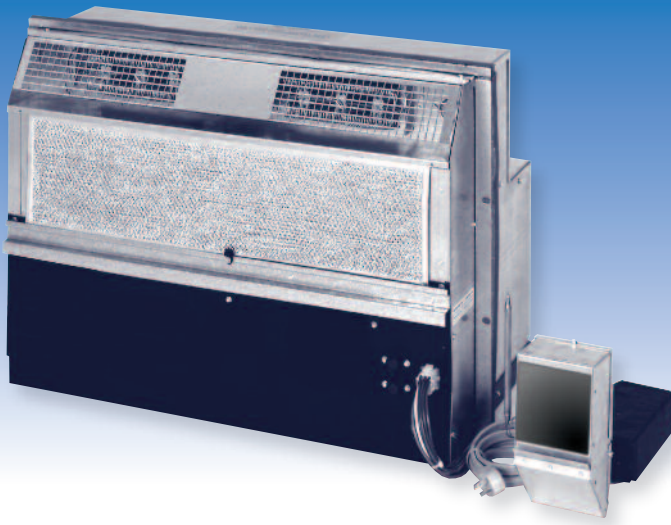
## Replacement for the Singer and McQuay EB

Islandaire EZ Series EB is a replacement for the Singer and McQuay models of EB units. Our commercial duty construction with heavy gauge galvanized steel and superior components create an efficient reliable unit. This design eliminates the need for any interior or exterior renovation. Use of the existing wall sleeve-cabinet and louver saves time and money, two very important factors in today's competitive environment! Reciprocating compressor only. Digital controls only.

- ### FEATURES
- Proudly Made in the U.S.A.
  - ETL listed products
  - Superior Energy Efficiency Ratios (EERs)
  - Commercial Duty Construction with Heavy Gauge Galvanized Steel
  - Designed for exact replacement of existing sleeve opening
  - Energy Efficient Rotary Compressors
  - P.S.C. Evaporator and Condenser Motors
  - High-Efficiency Refrigeration Coils Used to Provide Superior Heat Transfer
  - Units Available as Cooling only, Cooling with Electric Heat, Cooling with Hydronic Heat, or Heat Pumps
  - Custom Options Available
  - Available with State-of-the-Art Digital *Intellitemp™* Control System
  - Available with wired and wireless wall thermostats
  - NYC MEA Number 358-93-E



\*Specifications are subject to change due to ongoing product development.



### ACCESSORIES:

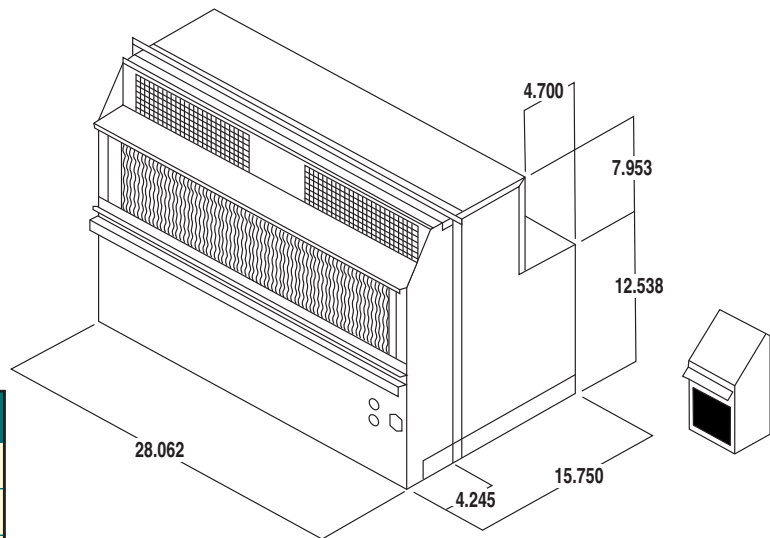
- 4082457-00** EZEB Enclosure assembly, 52" w x 21" h x 9" d RTS only
- 4090633** EZEB Discharge plenum, flat top, hyd.
- 6080028** EZEB Aluminum filter 26"x7"
- 4083298-00** EZEB Enclosure assembly, unit mounted controls

MODELS											
VOLTS	EZ09				EZ012				EZ12		
	115	230	208	277	115	230	208	277	230	208	277
BTUH COOLING	9,500	9,500	9,300	9,500	12,200	12,200	12,000	12,200	15,000	14,800	15,000
AMPS	8.76	4.38	4.85	3.64	11.66	5.83	6.45	4.84	7.99	8.9	6.63
WATTS COOLING	945	986	986	945	1,247	1,328	1,328	1,247	1,768	1,768	1,671
EER	10.05	9.63	9.43	10.05	9.78	9.19	9.04	9.78	8.48	8.37	8.98
CFM HIGH	400	400	380	400	400	400	380	400	460	440	460
CFM LOW	260	260	240	260	340	340	320	340	340	320	340
BTUH HEATING	9,300	9,300	9,100	9,300	11,400	11,400	11,200	11,400	14,300	14,200	14,800
WATTS HEATING	884	864	864	884	1,281	1,258	1,258	1,281	1,646	1,646	1,715
C.O.P.	3.09	3.16	3.09	3.09	2.61	2.66	2.61	2.61	2.55	2.53	2.53

Heating Option	Voltage (1)	Wattage	B.T.U.s (2)	Amps (3)
B	208	2,050	7,000	10.46
	230	2,500	8,535	11.47
	277	2,500	8,535	9.63
C	208	2,950	10,070	14.78
	230	3,600	12,290	16.25
	277	3,600	12,290	13.60
D	208	3,433	11,720	17.10
	230	4,200	14,330	18.86
	277	4,200	14,330	15.76
E	208	4,100	14,000	20.31
	230	5,000	17,070	22.34
	277	5,000	17,070	18.65

(1) Voltage is Single Phase, Alternating Current and R.M.S. (2) Heating Capacity (B.T.U./Hr.) based on indoor blower motor and heating elements. (3) Amp values are a combination of indoor blower motor and heating elements.

Heating capacities specified in accordance with ARI standard 380-82 at conditions of 47°F WB outdoor and 70°F DB/60°F FWB indoor. Wattage, Amperage, COP, EER listings include compressor, evaporator motor and condenser fan motor. Cooling capacities specified in accordance with ARI standard 380-82 at conditions of 95°F DB/75°F FWB outdoor and 80°F DB/67°F FWB indoor.



Line Voltage	Maximum Amperage	Wall Socket Configuration	Receptacle Number	Electrical Heat Options
115	16		NEMA 5-20R	N/A
208/230	12		NEMA 6-15R	N/A
208/230	16		NEMA 6-20R	2.5 - 3.6
208/230	24		NEMA 6-30R	4.2 - 5.0
277	16		NEMA 7-20R	2.5 - 5.0

