



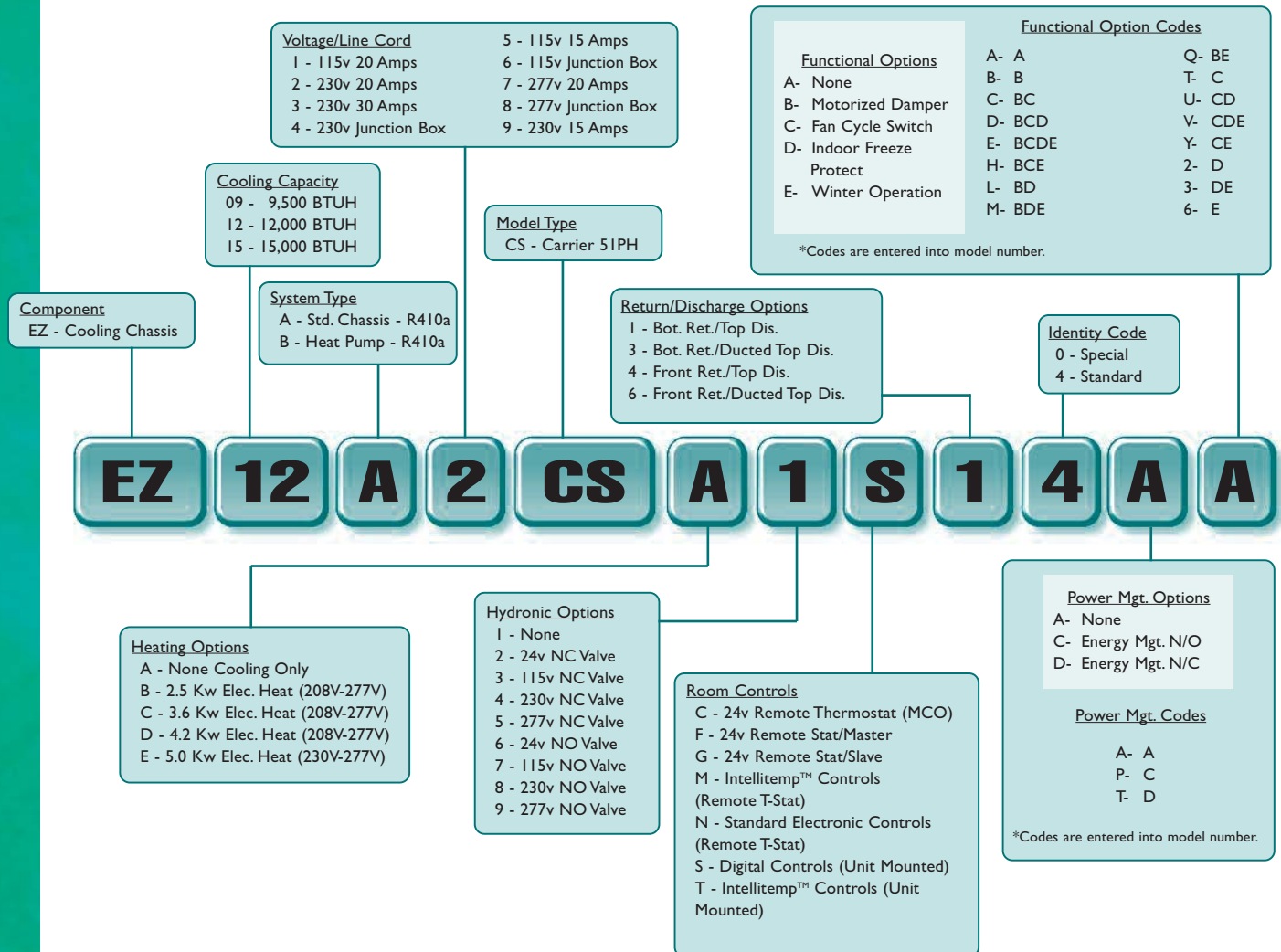
# EZ SERIES CS

## Replacement for the Applied Comfort, Carrier 51PH Series Wallmate, McQuay TPW Series, Keeprite Seasonall, Heil Quaker Series C, and Zoneaire CSM & CHP Series

Islandaire EZ Series CS is a replacement for the Applied Comfort, Carrier 51PH Wallmate Series, Mc Quay TPW Series, Keeprite Seasonall, Heil Quaker Series C and Zoneaire CSM & CHP units. Our commercial duty construction with heavy gauge galvanized steel and superior components create an efficient reliable unit. This design eliminates the need for any interior or exterior renovation. Use of the existing wall and louver saves time and money, two very important factors in today's competitive environment! Sloped front panel, motorized vent and fan cycle switch included. If the need does occur where the wall sleeve, duct kit and/or stamped steel or architectural louver needs to be replaced, we manufacture these accessories as well.

### FEATURES

- Proudly Made in the U.S.A.
- ETL listed products
- Superior Energy Efficiency Ratios (EERs)
- Commercial Duty Construction with Heavy Gauge Galvanized Steel
- Designed for exact replacement of existing sleeve opening
- Energy Efficient Rotary Compressors
- P.S.C. Evaporator and Condenser Motors
- High-Efficiency Refrigeration Coils Used to Provide Superior Heat Transfer
- Units Available as Cooling only, Cooling with Electric Heat, Cooling with Hydronic Heat, or Heat Pumps
- Custom Options Available
- Available with State-of-the-Art Digital *Intellitemp™* Control System
- Available with wired and wireless wall thermostats
- NYC MEA Number 358-93-E



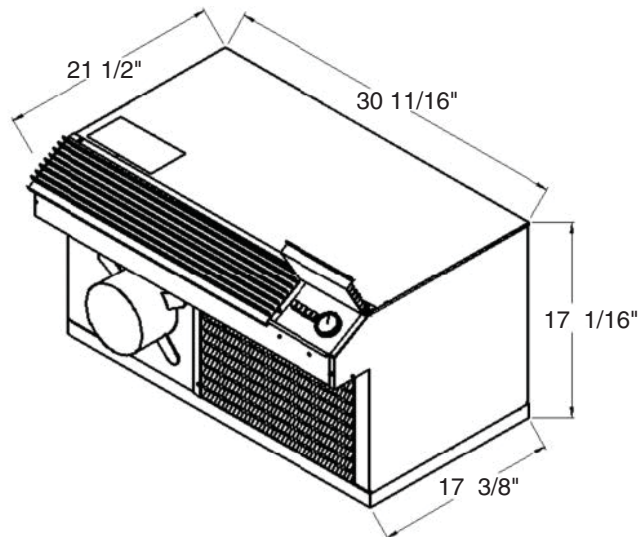
\*Specifications are subject to change due to ongoing product development.



MODELS												
	EZ09				EZ12				EZ15			
<b>VOLTS</b>	115	230	208	277	115	230	208	277	230	208	277	
<b>BTUH COOLING</b>	9,500	9,500	9,300	9,500	12,200	12,200	12,000	12,200	14,800	14,800	14,800	
<b>AMPS</b>	8.1	4.1	4.4	3.7	10.9	5.5	5.8	5.0	7.2	7.5	6.5	
<b>WATTS COOLING</b>	951	896	877	888	1214	1245	1214	1241	1626	1645	1626	
<b>EER</b>	9.9	10.6	10.6	10.6	10.0	9.8	9.8	9.8	9.1	9.1	9.1	
<b>CFM HIGH</b>	420	400	400	420	460	440	440	460	440	440	460	
<b>CFM LOW</b>	280	260	260	280	280	260	260	280	280	260	280	
<b>BTUH HEATING</b>	N/A	9,300	9,100	9,300	N/A	11,400	11,200	11,400	14,300	14,200	14,800	
<b>WATTS HEATING</b>	N/A	901	780	871	N/A	1014	979	979	1290	1365	1380	
<b>C.O.P.</b>	N/A	3.03	2.9	3.13	N/A	3.30	2.9	3.41	3.25	2.7	3.14	

Heating Option	Voltage (1)	Wattage	B.T.U.s (2)	Amps (3)
B	208	2,050	7,000	10.46
	230	2,500	8,535	11.47
	277	2,500	8,535	9.63
C	208	2,950	10,070	14.78
	230	3,600	12,290	16.25
	277	3,600	12,290	13.60
D	208	3,433	11,720	17.10
	230	4,200	14,330	18.86
	277	4,200	14,330	15.76
E	208	4,100	14,000	20.31
	230	5,000	17,070	22.34
	277	5,000	17,070	18.65

Heating capacities specified in accordance with ARI standard 380-82 at conditions of 47°F FWB outdoor and 70°F DB/60°F FWB indoor; Wattage, Amperage, COP, EER listings include compressor, evaporator motor and condenser fan motor; Cooling capacities specified in accordance with ARI standard 380-82 at conditions of 95°F DB/75°F FWB outdoor and 80°F DB/67°F FWB indoor.



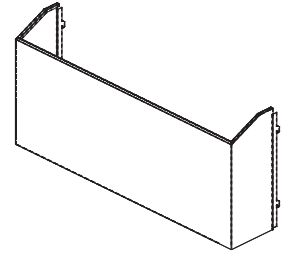
(1) Voltage is Single Phase, Alternating Current and R.M.S. (2) Heating Capacity (B.T.U./Hr.) based on indoor blower motor and heating elements. (3) Amp values are a combination of indoor blower motor and heating elements.

Line Voltage	Maximum Amperage	Wall Socket Configuration	Receptacle Number	Electrical Heat Options
115	16		NEMA 5-20R	N/A
208/230	12		NEMA 6-15R	N/A
208/230	16		NEMA 6-20R	2.5 - 3.6
208/230	24		NEMA 6-30R	4.2 - 5.0
277	16		NEMA 7-20R	2.5 - 5.0



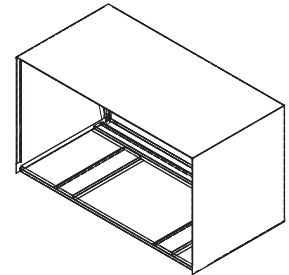
### ENCLOSURES

PRODUCT NUMBER	DESCRIPTION	APPROX. WT.	DIMENSIONS		
			DEPTH	WIDTH	HEIGHT
4080327-00 6070030	EZCS Enclosure Front Panel, Standard EZCS Discharge Grill	15 lbs.	6.187"	32.063"	18.375"
		5 lbs.	.500"	24.000"	21.875"



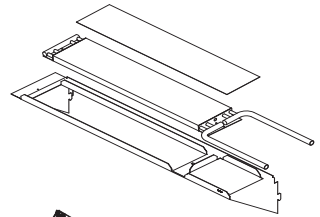
### WALL SLEEVES

PRODUCT NUMBER	DESCRIPTION	APPROX. WT.	DIMENSIONS		
			DEPTH	WIDTH	HEIGHT
2400090-00 2500021	EZCS Wall Sleeve Assembly, Standard EZCS Wall Sleeve Filler, Custom	20 lbs.	16.750"	32.000"	18.250"
		5 lbs.	2.000"	32.063"	18.250"



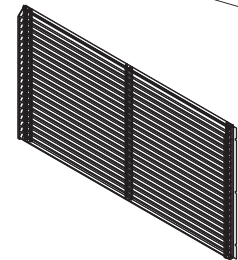
### HYDRONIC COILS

PRODUCT NUMBER	DESCRIPTION	APPROX. WT.	DIMENSIONS		
			LENGTH	WIDTH	HEIGHT
6030216	EZCS Hydronic Coil Top Mount Kit	25 lbs.	35.248"	8.675"	1.062"



### LOUVERS

PRODUCT NUMBER	DESCRIPTION	APPROX. WT.	DIMENSIONS		
			DEPTH	WIDTH	HEIGHT
6070003	EZCS Exterior Louver, Standard	10 lbs.	1.063"	31.438"	17.000"



### THERMOSTATS

PRODUCT NUMBER	DESCRIPTION	APPROX. WT.	FEATURES		
			CONNECTION	STAGE	DISPLAY
6040523	Islandaire Non-Programmable Thermostat	3 lbs.	Wired	Single	Horizontal
6040730	White-Rogers Programmable 5/2 days Thermostat	3 lbs.	Wired	Single	Horizontal
6040942	Islandaire Programmable Thermostat	3 lbs.	Wired	Single	Horizontal
6040824	Islandaire EZ Touch IR Non-Program Thermostat	3 lbs.	Infrared	Single	Vertical
6040935 - 6040936	Telkonet EcoWave Thermostat Kit	5 lbs.	Wireless	Single	Vertical



### FILTERS

PRODUCT NUMBER	DESCRIPTION	APPROX. WT.	DIMENSIONS		
			DEPTH	WIDTH	HEIGHT
6080041	EZCS Aluminum Filter, Standard	2 lbs.	.250"	16.750"	11.6875"



Ask your salesman about  
our DR. PTAC option! \*



\*100% conditioned  
fresh air

**NEW!**  
**Vertical Unit Available**

For New Construction and  
as Replacement for:

**GE AZ Vertical, Friedrich Vert-I-Pak  
and First Company SPX**



22 Research Way, East Setauket, NY 11733 • 1-800-886-2759  
e-mail: [sales@islandaire.com](mailto:sales@islandaire.com) • [www.islandaire.com](http://www.islandaire.com)  
Ph: 631-471-2900 • Fax: 631-471-2913



Locally Represented By: