



EZ SERIES CM

Replacement for the Friedrich Climate Master and Weil-McLain Series 702, 703 & 704

Islandaire EZ Series CM is a replacement for the Friedrich and Weil-McLain models of Series 702, 703 & 704 units. Our commercial duty construction with heavy gauge galvanized steel and superior components create an efficient reliable unit. This design eliminates the need for any interior or exterior renovation. Use of the existing wall sleeve-cabinet and louver saves time and money, two very important factors in today's competitive environment! If the need does occur where the room cabinet and/or louver needs to be replaced, we manufacture these accessories as well.

FEATURES

- Proudly Made in the U.S.A.
- ETL listed products
- Superior Energy Efficiency Ratios (EERs)
- Commercial Duty Construction with Heavy Gauge Galvanized Steel
- Designed for exact replacement of existing sleeve opening
- Energy Efficient Rotary Compressors
- P.S.C. Evaporator and Condenser Motors
- High-Efficiency Refrigeration Coils Used to Provide Superior Heat Transfer
- Units Available as Cooling only, Cooling with Electric Heat, Cooling with Hydronic Heat, or Heat Pumps
- Custom Options Available
- Available with State-of-the-Art Digital *Intellitemp™* Control System
- Available with wired and wireless wall thermostats
- NYC MEA Number 358-93-E

Voltage/Line Cord

1 - 115v 20 Amps	7 - 277v 20 Amps
2 - 230v 20 Amps	8 - 277v Junction Box
3 - 230v 30 Amps	9 - 230v 15 Amps
4 - 230v Junction Box	A - 208v 15 Amps
5 - 115v 15 Amps	B - 208v 20 Amps
6 - 115v Junction Box	C - 208v 30 Amps
	D - 208v Junction Box

Model Type

CM - Friedrich CM

Cooling Capacity

07 - 7,500 BTUH
09 - 9,500 BTUH
12 - 12,000 BTUH
15 - 15,000 BTUH

Hydronic Options

1 - None
2 - 24v NC Valve
3 - 115v NC Valve
4 - 230v NC Valve
5 - 277v NC Valve
6 - 24v NO Valve
7 - 115v NO Valve
8 - 230v NO Valve
9 - 277v NO Valve
A - Line Voltage NO/NC switch

Functional Options	Functional Option Codes		
A- None	A- A	M- BDE	Y- CE
B- Motorized Damper	B- B	N- BDEF	Z- CEF
C- Fan Cycle Switch	C- BC	P- BDF	1- CF
D- Indoor Freeze Protect	D- BCD	Q- BE	2- D
E- Winter Operation	E- BCDE	R- BEF	3- DE
F- Hi Pressure Cut Out	F- BCDEF	S- BF	4- DEF
	G- BCDF	T- C	5- DF
	H- BCE	U- CD	6- E
	J- BCEF	V- CDE	7- EF
	K- BCF	W- CDEF	8- F
	L- BD	X- CDF	

*Codes are entered into model number.

System Type

A - Std. Chassis - R410a
B - Heat Pump - R410a

Component

EZ - Cooling Chassis

Identity Code

0 - Special
4 - Standard



Heating Options

A - None Cooling Only
B - 2.5 Kw Elec. Heat (208V-277V)
C - 3.6 Kw Elec. Heat (208V-277V)
D - 4.2 Kw Elec. Heat (208V-277V)
E - 5.0 Kw Elec. Heat (230V-277V)
F - Hyd. Fan Cycle W/T-Stat (115V-277V)
G - Hyd. with Aquastat (115V-277V)
H - Hyd. W/2.5 Kw B.U. Heat (208V-277V)
I - Hyd. W/3.6 Kw B.U. Heat (208V-277V)
Y - 1.3 Kw Elec. Heat (115V only)

Room Controls

A - Unit Mounted Controls (MCO)
B - Unit Mounted Controls (ACO)
C - 24v Remote Thermostat
F - 24v Remote Stat/Master
G - 24v Remote Stat/Slave
M - Intellitemp™ Controls (Remote T-Stat)
N - Standard Electronic Controls (Remote T-Stat)
S - Digital Controls (Unit Mounted)
T - Intellitemp™ Controls (Unit Mounted)

Return/Discharge Options

1 - Bot. Ret./ Top Dis.
3 - Bot. Ret./ Ducted Top Dis.
4 - Front Ret./ Top Dis.
5 - Front Ret./ Top Dis.
6 - Front Ret./ Ducted Top Dis.

Power Mgt. Options	Power Mgt. Codes	
A- None	A- A	N- BG
B- Power Disconnect	B- B	P- C
C- Energy Mgt. N/O	C- BC	Q- CE
D- Energy Mgt. N/C	D- BCD	R- CF
E- Emerg. Power 115V	E- BCF	S- CG
F- Emerg. Power 230V	F- BCG	T- D
G- Emerg. Power 277V	G- BD	U- DE
	H- BDE	V- DF
	J- BDF	W- DG
	K- BDG	X- E
	L- BE	Y- F
	M- BF	Z- G

*Codes are entered into model number.

*Specifications are subject to change due to ongoing product development.



MODELS

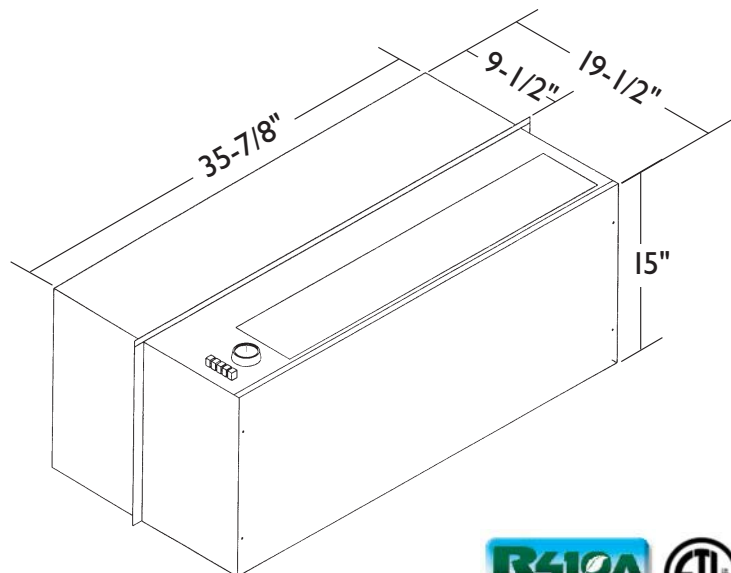
VOLTS	EZ07				EZ09				EZ12				EZ15		
	115	230	208	277	115	230	208	277	115	230	208	277	230	208	277
BTUH COOLING	7,000	7,000	6,800	7,000	9,500	9,500	9,300	9,500	12,200	12,200	12,000	12,200	15,000	14,800	15,000
AMPS	6.76	3.30	3.70	2.81	8.76	4.38	4.85	3.64	11.66	5.83	6.45	4.84	7.99	8.9	6.63
WATTS COOLING	731	723	723	731	945	986	986	945	1,247	1,328	1,328	1,247	1,768	1,768	1,671
EER	9.58	9.68	9.41	9.58	10.05	9.63	9.43	10.05	9.78	9.19	9.04	9.78	8.48	8.37	8.98
CFM HIGH	340	340	320	340	400	400	380	400	400	400	380	400	460	440	460
CFM LOW	260	260	240	260	260	260	240	260	340	340	320	340	340	320	340
BTUH HEATING	7,100	7,100	6,900	7,100	9,300	9,300	9,100	9,300	11,400	11,400	11,200	11,400	14,300	14,200	14,800
WATTS HEATING	751	749	749	751	884	864	864	884	1,281	1,258	1,258	1,281	1,646	1,646	1,715
C.O.P.	2.77	2.78	2.70	2.77	3.09	3.16	3.09	3.09	2.61	2.66	2.61	2.61	2.55	2.53	2.53

Heating Option	Voltage (1)	Wattage	B.T.U.s (2)	Amps (3)
B	208	2,050	7,000	10.46
	230	2,500	8,535	11.47
	277	2,500	8,535	9.63
C	208	2,950	10,070	14.78
	230	3,600	12,290	16.25
	277	3,600	12,290	13.60
D	208	3,433	11,720	17.10
	230	4,200	14,330	18.86
	277	4,200	14,330	15.76
E	208	4,100	14,000	20.31
	230	5,000	17,070	22.34
	277	5,000	17,070	18.65

Heating capacities specified in accordance with ARI standard 380-82 at conditions of 47°F WB outdoor and 70°F DB/60°F WB indoor. Wattage, Amperage, COP, EER listings include compressor, evaporator motor and condenser fan motor. Cooling capacities specified in accordance with ARI standard 380-82 at conditions of 95°F DB/75°F WB outdoor and 80°F DB/67°F WB indoor.

(1) Voltage is Single Phase, Alternating Current and R.M.S. (2) Heating Capacity (B.T.U./Hr.) based on indoor blower motor and heating elements. (3) Amp values are a combination of indoor blower motor and heating elements.

Line Voltage	Maximum Amperage	Wall Socket Configuration	Receptacle Number	Electrical Heat Options
115	16		NEMA 5-20R	N/A
208/230	12		NEMA 6-15R	N/A
208/230	16		NEMA 6-20R	2.5 - 3.6
208/230	24		NEMA 6-30R	4.2 - 5.0
277	16		NEMA 7-20R	2.5 - 5.0



EZ SERIES CM

Unit Accessories

ENCLOSURES

PART NUMBER	DESCRIPTION	APPROX. WT.	DIMENSIONS		
			DEPTH	WIDTH	HEIGHT
4080237-00	EZCM Enclosure Assembly, Bottom Return, Custom	50 lbs.	11.000"	48.000"	18.500"
4080221-00	EZCM Enclosure Assembly, Bottom Return, Standard	50 lbs.	11.000"	48.000"	21.000"
4080670-00	EZCM Enclosure Assembly, Front Return, Custom	50 lbs.	14.000"	44.000"	24.000"
4080863-00	EZCM Enclosure Assembly, Front Return, Custom	50 lbs.	11.000"	48.000"	21.000"

WALL SLEEVES

PART NUMBER	DESCRIPTION	APPROX. WT.	DIMENSIONS		
			DEPTH	WIDTH	HEIGHT
2400361	EZCM Custom Wall Sleeve Assembly, Custom	20 lbs.	22.50"	40.000"	16.500"

HYDRONIC COILS

PART NUMBER	DESCRIPTION	APPROX. WT.	DIMENSIONS		
			LENGTH	WIDTH	HEIGHT
6030154	EZCM Hydronic Coil Only for use with RM Sleeve	20 lbs.	28.750"	5.000"	1.062"
6030158	EZCM Hydronic Coil with Vent, Standard	20 lbs.	29.060"	6.187"	0.750"

LOUVERS

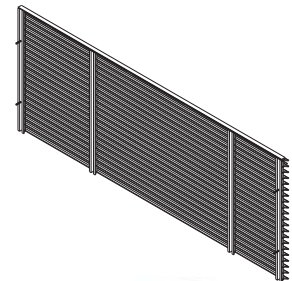
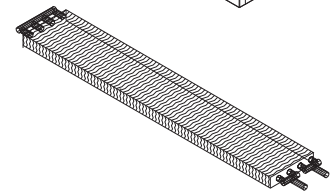
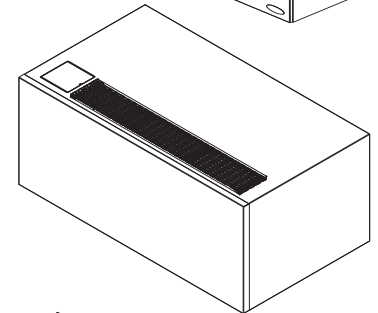
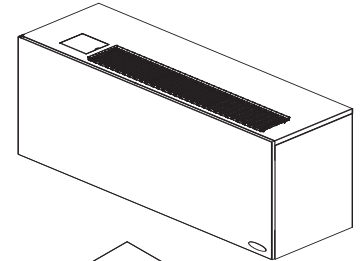
PART NUMBER	DESCRIPTION	APPROX. WT.	DIMENSIONS		
			DEPTH	WIDTH	HEIGHT
6070131	EZCM Louver, Stud Mount, Custom, for use with Islandaire Sleeves only!	10 lbs.	1.063"	39.875"	15.125"

THERMOSTATS

PART NUMBER	DESCRIPTION	APPROX. WT.	FEATURES		
			CONNECTION	STAGE	DISPLAY
6040523	Islandaire Non-Programmable Thermostat	3 lbs.	Wired	Single	Horizontal
6040730	White-Rogers Programmable 5/2 days T-Stat	3 lbs.	Wired	Single	Horizontal
6040942	Islandaire Programmable Thermostat	3 lbs.	Wired	Single	Horizontal
6040824	Islandaire EZ Touch IR Non-Program T-Stat	3 lbs.	Infrared	Single	Vertical
6040935 - 6040936	Telkonet EcoWave Thermostat Kit	5 lbs.	Wireless	Single	Vertical

FILTERS

PART NUMBER	DESCRIPTION	APPROX. WT.	DIMENSIONS		
			DEPTH	WIDTH	HEIGHT
6080000	EZCM Aluminum Filter	2 lbs.	.250"	30.750"	8.50"



**Ask your salesman about
our DR. PTAC option!***



*100% conditioned
fresh air

**NEW!
Vertical Unit Available**

For New Construction and
as Replacement for:

**GE AZ Vertical, Friedrich Vert-I-Pak
and First Company SPX**



22 Research Way, East Setauket, NY 11733 • 1-800-886-2759
e-mail: sales@islandaire.com • www.islandaire.com
Ph: 631-471-2900 • Fax: 631-471-2913



Locally Represented By: