



# EZ SERIES AD

## Replacement for the Friedrich Climate Master and Weil-McLain Series 700AD

Islandaire EZ Series AD is a replacement for the Friedrich Climate Master and Weil-McLain models of 700AD units. Our commercial duty construction with heavy gauge galvanized steel and superior components create an efficient reliable unit. This design eliminates the need for any interior or exterior renovation. Use of the existing wall sleeve-cabinet and louver saves time and money, two very important factors in today's competitive environment! If the need does occur where the room cabinet needs to be replaced, we manufacture them, as well as a square or rectangle control box.

### FEATURES

- Proudly Made in the U.S.A.
- ETL listed products
- Superior Energy Efficiency Ratios (EERs)
- Commercial Duty Construction with Heavy Gauge Galvanized Steel
- Designed for exact replacement of existing sleeve opening
- Energy Efficient Rotary Compressors
- P.S.C. Evaporator and Condenser Motors
- High-Efficiency Refrigeration Coils Used to Provide Superior Heat Transfer
- Units Available as Cooling only, Cooling with Electric Heat, Cooling with Hydronic Heat, or Heat Pumps
- Custom Options Available
- Available with State-of-the-Art Digital *Intellitemp™* Control System
- Available with wired and wireless wall thermostats
- NYC MEA Number 358-93-E

Voltage/Line Cord	
1 - 115v 20 Amps	7 - 277v 20 Amps
2 - 230v 20 Amps	8 - 277v Junction Box
3 - 230v 30 Amps	9 - 230v 15 Amps
4 - 230v Junction Box	A - 208v 15 Amps
5 - 115v 15 Amps	B - 208v 20 Amps
6 - 115v Junction Box	C - 208v 30 Amps
	D - 208v Junction Box

Cooling Capacity	
07 - 7,500 BTUH	
09 - 9,500 BTUH	
12 - 12,000 BTUH	
15 - 15,000 BTUH	
18 - 18,000 BTUH	

**Component**  
EZ - Cooling Chassis

System Type	
A - Std. Chassis - R410a	
B - Heat Pump - R410a	

**Model Type**  
AD - Friedrich 700AD

Return/Discharge Options	
1 - Bot. Ret./Top Dis.	
4 - Front Ret./Top Dis.	

**Identity Code**  
0 - Special  
4 - Standard

Functional Options		
A- None	M- BDE	Y- CE
B- Motorized Damper	N- BDEF	Z- CEF
C- Fan Cycle Switch	P- BDF	1- CF
D- Indoor Freeze Protect	Q- BE	2- D
E- Winter Operation	R- BEF	3- DE
F- Hi Pressure Cut Out	S- BF	4- DEF
	T- C	5- DF
	U- CD	6- E
	V- CDE	7- EF
	W- CDEF	8- F
	X- CDF	

\*Codes are entered into model number.



Heating Options	
A - None Cooling Only	
B - 2.5 Kw Elec. Heat (208V-277V)	
C - 3.6 Kw Elec. Heat (208V-277V)	
D - 4.2 Kw Elec. Heat (208V-277V)	
E - 5.0 Kw Elec. Heat (230V-277V)	
F - Hyd. Fan Cycle W/T-Stat (115V-277V)	
G - Hyd. with Aquastat (115V-277V)	
H - Hyd. W/2.5 Kw B.U. Heat (208V-277V)	
I - Hyd. W/3.6 Kw B.U. Heat (208V-277V)	
Y - 1.3 Kw Elec. Heat (115V only)	

Hydronic Options	
1 - None	
2 - 24v NC Valve	
3 - 115v NC Valve	
4 - 230v NC Valve	
5 - 277v NC Valve	
6 - 24v NO Valve	
7 - 115v NO Valve	
8 - 230v NO Valve	
9 - 277v NO Valve	
A - Line Voltage NO/NC switch	

Room Controls	
C - 24v Remote Thermostat	
F - 24v Remote Stat/Master	
G - 24v Remote Stat/Slave	
H - Extended Control Module Square	
I - Extended Control Module Rectangle	
M - Intellitemp™ Controls (Remote T-Stat)	
N - Standard Electronic Controls (Remote T-Stat)	
P - Intellitemp™ Control Module Square	
R - Intellitemp™ Control Module Rectangle	
U - Standard Elec. Control Module Square	
V - Standard Elec. Control Module Rectangle	

Power Mgt. Options	
A- None	U- DE
C- Energy Mgt. N/O	V- DF
D- Energy Mgt. N/C	W- DG
E- Emerg. Power 115V	X- E
F- Emerg. Power 230V	Y- F
G- Emerg. Power 277V	Z- G

\*Codes are entered into model number.

\*Specifications are subject to change due to ongoing product development.



## MODELS

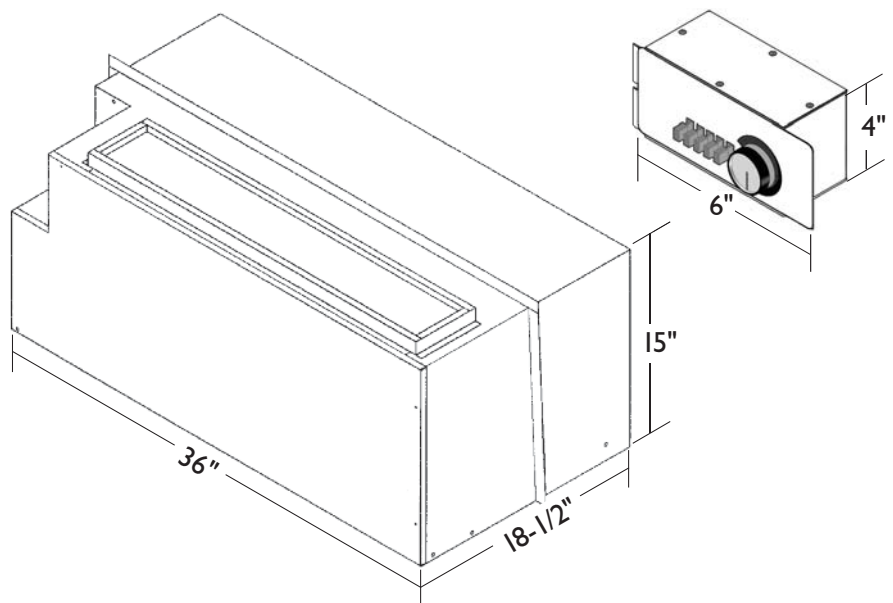
VOLTS	EZ07				EZ09				EZ12				EZ15		
	115	230	208	277	115	230	208	277	115	230	208	277	230	208	277
BTUH COOLING	7,000	7,000	6,800	7,000	9,500	9,500	9,300	9,500	12,200	12,200	12,000	12,200	15,000	14,800	15,000
AMPS	6.76	3.30	3.70	2.81	8.76	4.38	4.85	3.64	11.66	5.83	6.45	4.84	7.99	8.9	6.63
WATTS COOLING	731	723	723	731	945	986	986	945	1,247	1,328	1,328	1,247	1,768	1,768	1,671
EER	9.58	9.68	9.41	9.58	10.05	9.63	9.43	10.05	9.78	9.19	9.04	9.78	8.48	8.37	8.98
CFM HIGH	340	340	320	340	400	400	380	400	400	400	380	400	460	440	460
CFM LOW	260	260	240	260	260	260	240	260	340	340	320	340	340	320	340
BTUH HEATING	7,100	7,100	6,900	7,100	9,300	9,300	9,100	9,300	11,400	11,400	11,200	11,400	14,300	14,200	14,800
WATTS HEATING	751	749	749	751	884	864	864	884	1,281	1,258	1,258	1,281	1,646	1,646	1,715
C.O.P.	2.77	2.78	2.70	2.77	3.09	3.16	3.09	3.09	2.61	2.66	2.61	2.61	2.55	2.53	2.53

Heating Option	Voltage (1)	Wattage	B.T.U.s (2)	Amps (3)
B	208	2,050	7,000	10.46
	230	2,500	8,535	11.47
	277	2,500	8,535	9.63
C	208	2,950	10,070	14.78
	230	3,600	12,290	16.25
	277	3,600	12,290	13.60
D	208	3,433	11,720	17.10
	230	4,200	14,330	18.86
	277	4,200	14,330	15.76
E	208	4,100	14,000	20.31
	230	5,000	17,070	22.34
	277	5,000	17,070	18.65

(1) Voltage is Single Phase, Alternating Current and R.M.S. (2) Heating Capacity (B.T.U./Hr.) based on indoor blower motor and heating elements. (3) Amp values are a combination of indoor blower motor and heating elements.

Line Voltage	Maximum Amperage	Wall Socket Configuration	Receptacle Number	Electrical Heat Options
115	16		NEMA 5-20R	N/A
208/230	12		NEMA 6-15R	N/A
208/230	16		NEMA 6-20R	2.5 - 3.6
208/230	24		NEMA 6-30R	4.2 - 5.0
277	16		NEMA 7-20R	2.5 - 5.0

Heating capacities specified in accordance with ARI standard 380-82 at conditions of 47°F WB outdoor and 70°F DB/60°F WB indoor. Wattage, Amperage, C.O.P. EER listings include compressor, evaporator motor and condenser fan motor. Cooling capacities specified in accordance with ARI standard 380-82 at conditions of 95°F DB/75°F WB outdoor and 80°F DB/67°F WB indoor.

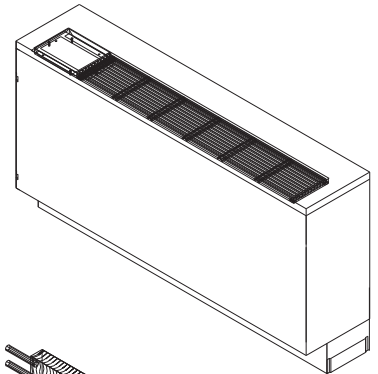


# EZ SERIES AD

## Unit Accessories

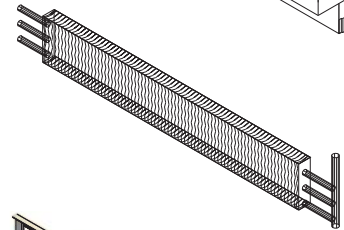
### ENCLOSURES

PART NUMBER	DESCRIPTION	APPROX. WT.	DIMENSIONS		
			DEPTH	WIDTH	HEIGHT
4080211-00	EZAD Enclosure Assembly, Custom	20 lbs.	11.000"	52.000"	21.000"
4080266-00	EZAD Enclosure Assembly, Custom	20 lbs.	11.000"	48.000"	21.000"
4082242-00	EZAD Enclosure Assembly With Kick Plate, Custom	20 lbs.	12.500"	48.000"	20.000"
4082427-00	EZAD Enclosure Assembly, Frit. Return, Kick Plate, Custom	10 lbs.	12.500"	48.000"	20.000"
1900307	EZAD Discharge Plenum Custom Assembly	10 lbs.	N/A	N/A	2.500"



### HYDRONIC COILS

PART NUMBER	DESCRIPTION	APPROX. WT.	DIMENSIONS		
			LENGTH	WIDTH	HEIGHT
4090160	EZAD Hydronic Coil & Frame Kit	20 lbs.	35.250"	6.00"	0.750"
6030130	EZAD Hydronic Coil, Headered, Opposite End	15 lbs.	35.875"	5.750"	1.299"



### LOUVERS

PART NUMBER	DESCRIPTION	APPROX. WT.	DIMENSIONS		
			DEPTH	WIDTH	HEIGHT
6070256	EZAD Exterior Architectural Louver, Standard	8 lbs.	1.125"	36.250"	15.50"



### THERMOSTATS

PART NUMBER	DESCRIPTION	APPROX. WT.	FEATURES		
			CONNECTION	STAGE	DISPLAY
6040523	Islandaire Non-Programmable Thermostat	3 lbs.	Wired	Single	Horizontal
6040730	White-Rogers Programmable 5/2 days T-Stat	3 lbs.	Wired	Single	Horizontal
6040942	Islandaire Programmable Thermostat	3 lbs.	Wired	Single	Horizontal
6040824	Islandaire EZ Touch IR Non-Program T-Stat	3 lbs.	Infrared	Single	Vertical
6040935 - 6040936	Telkonet EcoWave Thermostat Kit	5 lbs.	Wireless	Single	Vertical



### FILTERS

PART NUMBER	DESCRIPTION	APPROX. WT.	DIMENSIONS		
			DEPTH	WIDTH	HEIGHT
6070043	EZAD Aluminum Filter, Standard	2 lbs.	.250"	30.750"	8.500"



Ask your salesman about  
our DR. PTAC option! \*



\*100% conditioned  
fresh air

**NEW!**  
**Vertical Unit Available**

For New Construction and  
as Replacement for:

**GE AZ Vertical, Friedrich Vert-I-Pak  
and First Company SPX**



22 Research Way, East Setauket, NY 11733 • 1-800-886-2759  
e-mail: [sales@islandaire.com](mailto:sales@islandaire.com) • [www.islandaire.com](http://www.islandaire.com)  
Ph: 631-471-2900 • Fax: 631-471-2913



Locally Represented By: