



EZ Series 81

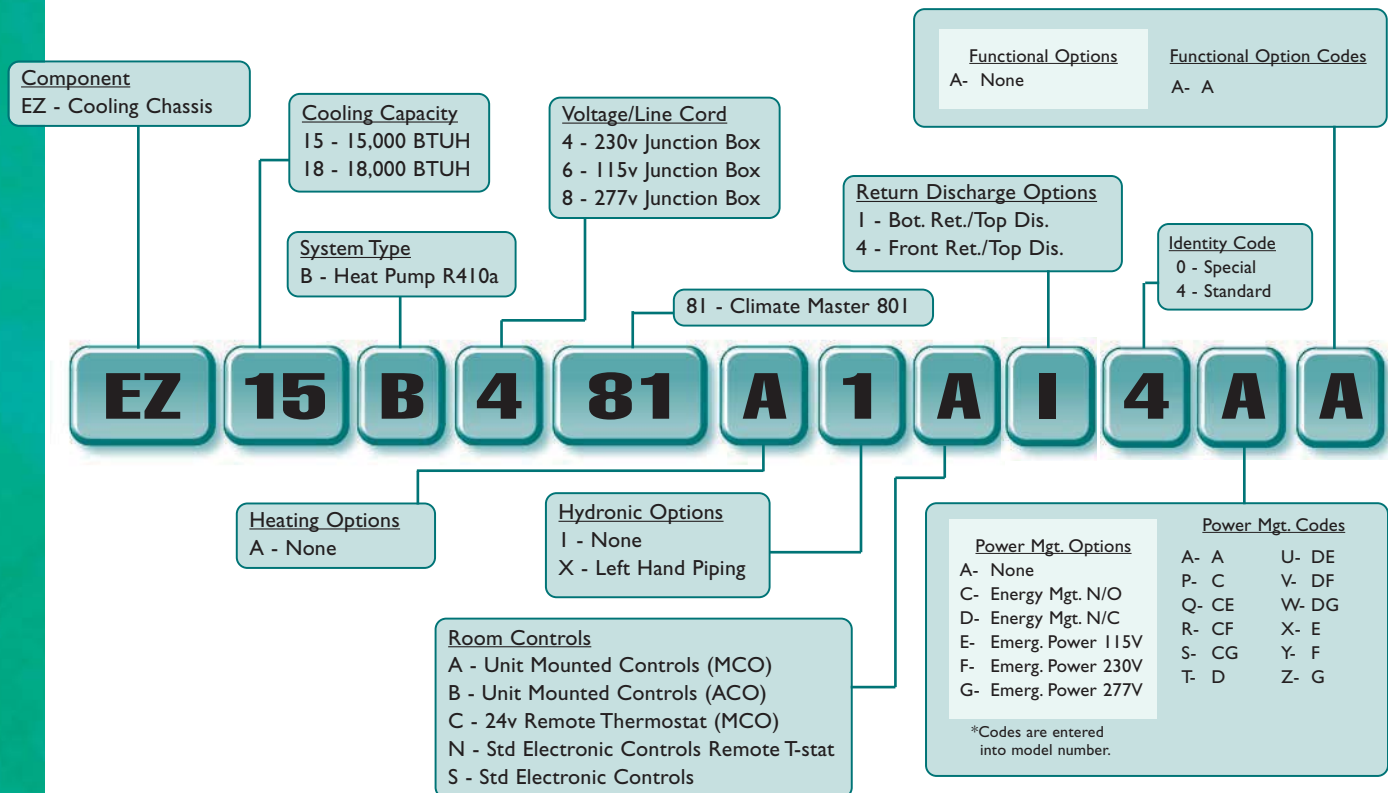
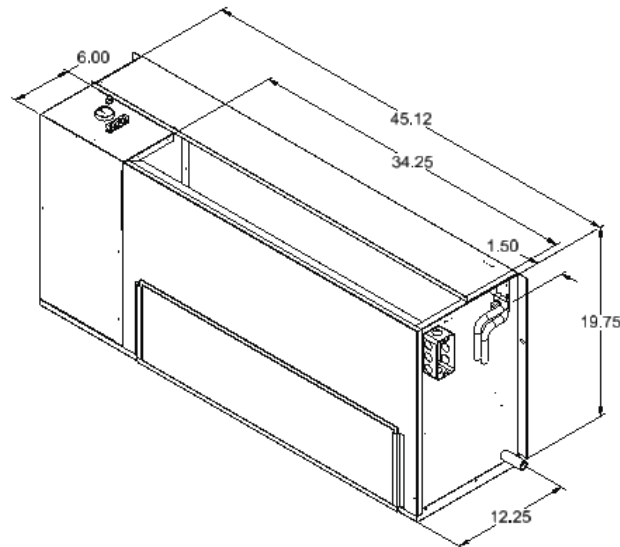
Console Water Source Heat Pump Replaces Climate Master 801 Series

Islandaire "The Perfect Fit" units are designed to exactly replace the original, existing chassis! No field modification kits or builder renovations are required. Islandaire units are designed for optimal efficiency and reliability.

This appliance is intended for new construction or replacement of Climate Master 801 water source heat pumps. Please confirm that the electrical rating of this appliance matches the electrical supply available before beginning installation.

Features on the EZ Series 81:

- Proudly made in the U.S.A
- Superior energy efficient ratios (EER)
- High efficiency coaxial condenser coil
- High efficiency evaporator coil
- Commercial duty construction with heavy gauge galvanized steel
- High pressure protection
- Compressor and water circuit freeze protection
- Refrigerant circuit access ports



EZ Series 81

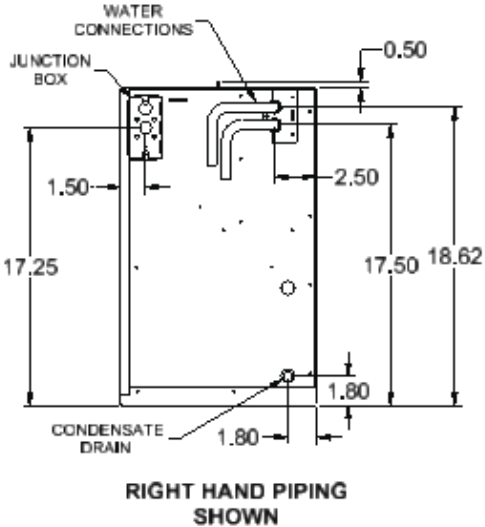


Slide the old 81 unit out, slide "The Perfect Fit" Islandaire unit in! No Renovations!



MODELS																
	EZ07			EZ09			EZ12			EZ15			EZ18			
VOLTS	—	—	—	—	—	—	—	—	—	230	208	277	230	208	277	
BTUH COOLING	—	—	—	—	—	—	—	—	—	15,000	14,800	15,000	19,000	18,800	19,000	
AMPS	—	—	—	—	—	—	—	—	—	6.7	7.1	5.9	8.1	8.3	7.2	
WATTS COOLING	—	—	—	—	—	—	—	—	—	1119	1100	1119	1426	1406	1426	
EER	—	—	—	—	—	—	—	—	—	13.4	13.4	13.4	13.3	13.3	13.3	
CFM HIGH	—	—	—	—	—	—	—	—	—	460	450	460	545	535	545	
CFM LOW	—	—	—	—	—	—	—	—	—	380	370	380	400	390	400	
BTUH HEATING	—	—	—	—	—	—	—	—	—	17,900	17,870	17,900	22,100	22,068	22,100	
WATTS HEATING	—	—	—	—	—	—	—	—	—	1370	1350	1370	1476	1446	1476	
C.O.P.	—	—	—	—	—	—	—	—	—	4.6	4.6	4.6	4.5	4.5	4.5	
G.P.M.	—	—	—	—	—	—	—	—	—	3.8	3.8	3.8	4.6	4.6	4.6	

Note:
 1) Data based on AHRI/ASHRAE/ISO 13256-1
 Cooling - EAT-80.6 degrees F
 - DB\66.2 degrees F WB
 - EWT-86 degrees F
 Heating - EAT-68 degrees F
 - EWT-68 degrees F
 2) Water Loop Operation



Line Voltage	Maximum Amperage	Wall Socket Configuration	Receptacle Number
115	16		NEMA 5-20R
208/230	16		NEMA 6-20R
208/230	24		NEMA 6-30R
277	16		NEMA 7-20R
208/230	12		NEMA 6-15R

Specifications are subject to change due to ongoing product development.

