

EZ SERIES 26

THRU-THE-WALL/BUILT-IN AIR CONDITIONERS

PRODUCT INFORMATION



The EZ Series 26 units are designed and manufactured for new construction or the replacement of 26" packaged terminal air conditioning units in an existing building. The product is designed for individually-zoned comfort controlled heating and cooling. We offer our chassis to operate in cooling only, cooling with electric heat, and cooling with heat pump with backup electric heat. The design standards, heavy duty construction and the focus on indoor noise reduction has created our unit as the premier unit of the future. Replacement for the Amana PB Series 26" unit, the GE AJ Series 26" unit, the Friedrich 27" Wallmaster unit* and the Fedders 27" unit*. (*requires kit #4090846).

SPECIFICATIONS FOR:

Cooling Models:

EZ2609A5A1S45AA
EZ2612A5A1S45AA
EZ2609A9A1S45AA
EZ2612A9A1S45AA

Electric Heat Models:

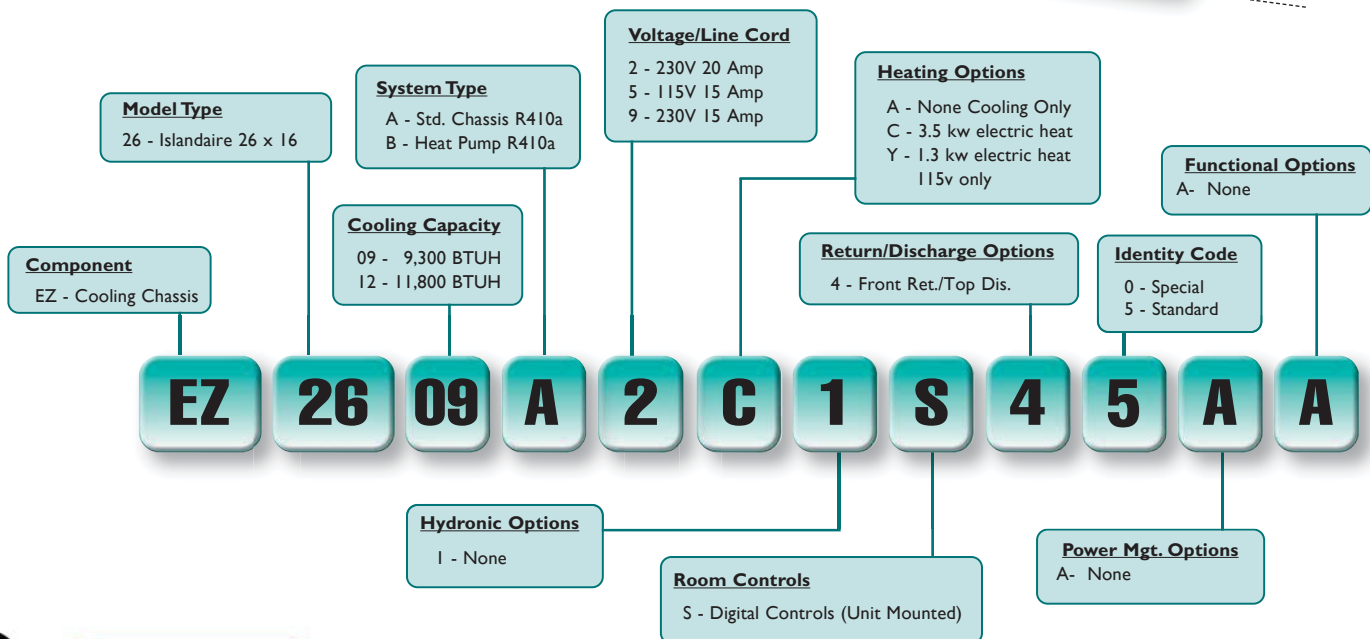
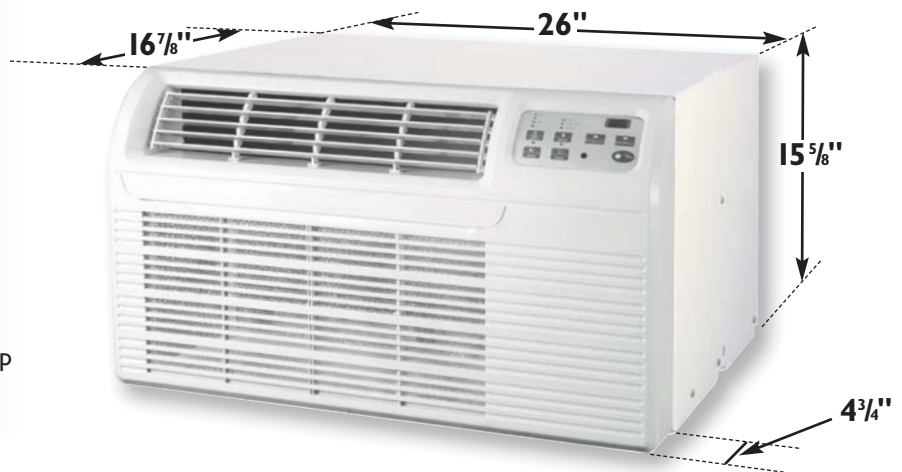
EZ2609A2C1S45AA
EZ2612A2C1S45AA

Heat Pump Models:

EZ2609B5Y1S45AA
EZ2609B2C1S45AA
EZ2612B2C1S45AA

STANDARD FEATURES:

- Quiet Operation
- Energy Saver Mode (Auto Fan)
- Two Motor Design
- Electronic Touch Pad Controls
- Hand Held Controller
- Fan Cycle Switch
- Four Way Adjustable Discharge
- Slide Out Chassis
- Sleeve Dim: 26"w x 15 5/8"h x 16 7/8" deep
- Fits Standard 26" wide Wall Sleeve





EZ SERIES 26 UNIT SPECIFICATIONS


	COOLING ONLY MODELS				ELECTRIC HEAT MODELS		HEAT PUMP MODELS		
MODEL	EZ2609A5A1S45AA	EZ2612A5A1S45AA	EZ2609A9A1S45AA	EZ2612A9A1S45AA	EZ2609A2C1S45AA	EZ2612A2C1S45AA	EZ2609B5Y1S45AA	EZ2609B2C1S45AA	EZ2612B2C1S45AA
ENERGY STAR	Yes	Yes	Yes	Yes	No	No	No	No	No
VOLTAGE	115	115	230/208	230/208	230/208	230/208	115	230/208	230/208
COOLING CAPACITY									
BTUH	9,300	11,800	9,300/9,100	12,000/11,800	9,300/9,100	12,000/11,800	9,000	9,300/9,100	11,700/11,500
AMPS	8.7	11.0	4.3/4.7	5.7/6.1	4.3/4.7	5.7/6.1	8.4	4.4/4.8	5.6/6.1
WATTS INPUT	950	1200	950/930	1220/1200	950/930	1220/1200	920	960/940	1220/1200
E.E.R	9.8	9.8	9.8/9.8	9.8/9.8	9.8/9.8	9.8/9.8	9.8	9.8	9.6/9.6
REFRIGERANT TYPE	R-410A	R-410A	R-410A	R-410A	R-410A	R-410A	R-410A	R-410A	R-410A
DEHUMIDIFICATION (PTS./HR)	2.32	3.49	2.32	3.49	2.5	3.49	2.32	2.32	3.49
CFM COOLING: HIGH/LOW	275/-	275/-	275/-	275/-	265/-	265/-	265/-	265/-	265/-
ELECTRIC HEAT CAPACITY									
BTUH	N/A	N/A	N/A	N/A	11,400/11,200	11,400/11,200	3,900	11,400/11,200	11,400/11,200
AMPS	N/A	N/A	N/A	N/A	15/14	15/14	11	15/14	15/14
WATTS	N/A	N/A	N/A	N/A	3500/2900	3500/2900	1150	3500/2900	3500/2900
HEAT PUMP CAPACITY									
BTUH	N/A	N/A	N/A	N/A	N/A	N/A	8500	8,800/8,600	11,400/11,200
AMPS	N/A	N/A	N/A	N/A	N/A	N/A	7.6	4.0/4.3	5.4/5.9
WATTS	N/A	N/A	N/A	N/A	N/A	N/A	830	860/840	1160/1140
C.O.P.	N/A	N/A	N/A	N/A	N/A	N/A	3.0	3.0	2.9
THERMOSTATIC DRAIN VALVE					Yes	Yes	Yes	Yes	Yes
ELECTRICAL DATA									
POWER CORD TYPE	Parallel	Parallel	Tandem	Tandem	Perpendicular	Perpendicular	Parallel	Perpendicular	Perpendicular
POWER CORD LENGTH	8 FT LCDI	8 FT LCDI	6 FT LCDI	6 FT LCDI	6 FT LCDI	6 FT LCDI	8 FT LCDI	6 FT LCDI	6 FT LCDI
POWER CORD RATING	15 AMP	15 AMP	15 AMP	15 AMP	20 AMP	20 AMP	15 AMP	20 AMP	20 AMP
DIMENSIONS & WEIGHT									
OVERALL SLEEVE DIMENSIONS	26" WIDE X 15 5/8" HIGH X 16 7/8" DEEP				26" WIDE X 15 5/8" HIGH X 16 7/8" DEEP		26" WIDE X 15 5/8" HIGH X 16 7/8" DEEP		
WALL CUT-OUT DIMENSIONS	26 3/16" WIDE X 15 13/16" HIGH X MAXIMUM WALL THICKNESS = 16 3/8								
APPROX. UNIT WEIGHT	80 LBS	80 LBS	80 LBS	80 LBS	85 LBS	85 LBS	85 LBS	85 LBS	85 LBS
APPROX SHIPPING WEIGHT	95 LBS	95 LBS	95 LBS	95 LBS	95 LBS	98LBS	98 LBS	98 LBS	98 LBS
STACKING HEIGHT/SKID	8	8	8	8	8	8	8	8	8

	COOLING ONLY MODELS				ELECTRIC HEAT MODELS		HEAT PUMP MODELS		
MODEL	EZ2609A5A1S45AA	EZ2612A5A1S45AA	EZ2609A9A1S45AA	EZ2612A9A1S45AA	EZ2609A2C1S45AA	EZ2612A2C1S45AA	EZ2609B5Y1S45AA	EZ2609B2C1S45AA	EZ2612B2C1S45AA
OPTIONAL ACCESSORIES									
EZ26 WALL SLEEVE	Yes	Yes	Yes	Yes	Yes	Yes	Yes	Yes	Yes
EZ26 ARCHITECTURAL LOUVER	Yes	Yes	Yes	Yes	Yes	Yes	Yes	Yes	Yes
EZ26 METAL COVER	Yes	Yes	Yes	Yes	Yes	Yes	Yes	Yes	Yes
EZ26 SLEEVE ADAPTER KIT	Yes	Yes	Yes	Yes	Yes	Yes	Yes	Yes	Yes
WARRANTY	ONE YEAR PARTS & LABOR WARRANTY ON ENTIRE UNIT. FIVE YEAR LIMITED PARTS & WARRANTY ON SEALED SYSTEM ONLY								

PLUG TYPE:

Parallel

 15 Amps
 125 Volts

Tandem

 15 Amps
 250 Volts

Perpendicular

 20 Amps
 250 Volts



Islandaire has a policy of continuous improvement of its products and reserves the right to change the materials and specifications without notice.

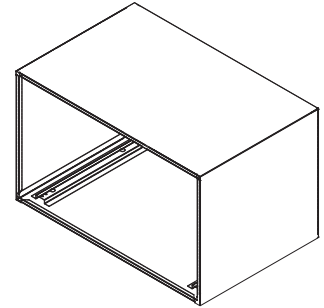


EZ SERIES 26

UNIT ACCESSORIES

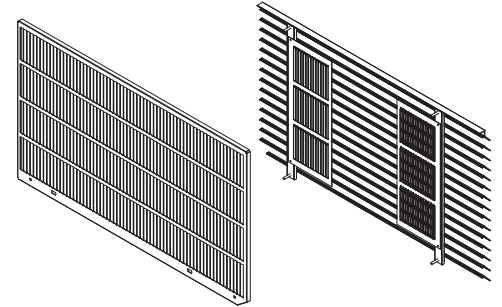
WALL SLEEVE

PART NUMBER	DESCRIPTION	APPROX. WT.	DIMENSIONS		
			DEPTH	WIDTH	HEIGHT
2400610-00	EZ26 Wall Sleeve, Insulated w/ Drain Kit	25 lbs.	16.750"	26.000"	15.750"
4090846	EZ26 Sleeve Adapter Kit, converts Friedrich WSC and Fedders BSAODC 27" wide sleeves to use EZ26 unit	7 lbs.	1.036"	27.250"	16.885"



LOUVERS

PRODUCT NUMBER	DESCRIPTION	APPROX. WT.	DIMENSIONS		
			DEPTH	WIDTH	HEIGHT
6070308	EZ26 Stamped Exterior Louver	8 lbs.	.394"	25.709"	15.354
6070309	EZ26 Architectural Exterior Louver	8 lbs.	1.149"	25.687"	15.354"
6070310	EZ26 Insulated Metal Panel	5 lbs.	.188"	25.375"	14.579"



MISCELLANEOUS

PART NUMBER	DESCRIPTION	APPROX. WT.	FEATURES		
			CONNECTION	STAGE	DISPLAY
4091136	EZ26 Drain Kit for Wall Sleeve 2400610	1 lbs.	N/A	N/A	N/A
1800553	EZ26 Replacement Front Panel (Plastic)	5 lbs.	N/A	N/A	N/A
6040808	EZ26 Replacement Hand Held Remote Control	1 lbs.	N/A	N/A	N/A



FILTERS

PART NUMBER	DESCRIPTION	APPROX. WT.	DIMENSIONS		
			DEPTH	WIDTH	HEIGHT
6080094	EZ26 Plastic Filter, Standard (2 per)	2 lbs.	.250"	17.000"	10.000"

**Ask your salesman about
our DR. PTAC option!***



*100% conditioned
fresh air

**NEW!
Vertical Unit Available**

For New Construction and
as Replacement for:

**GE AZ Vertical, Friedrich Vert-I-Pak
and First Company SPX**



22 Research Way, East Setauket, NY 11733 • 1-800-886-2759
e-mail: sales@islandaire.com • www.islandaire.com
Ph: 631-471-2900 • Fax: 631-471-2913



Locally Represented By: