



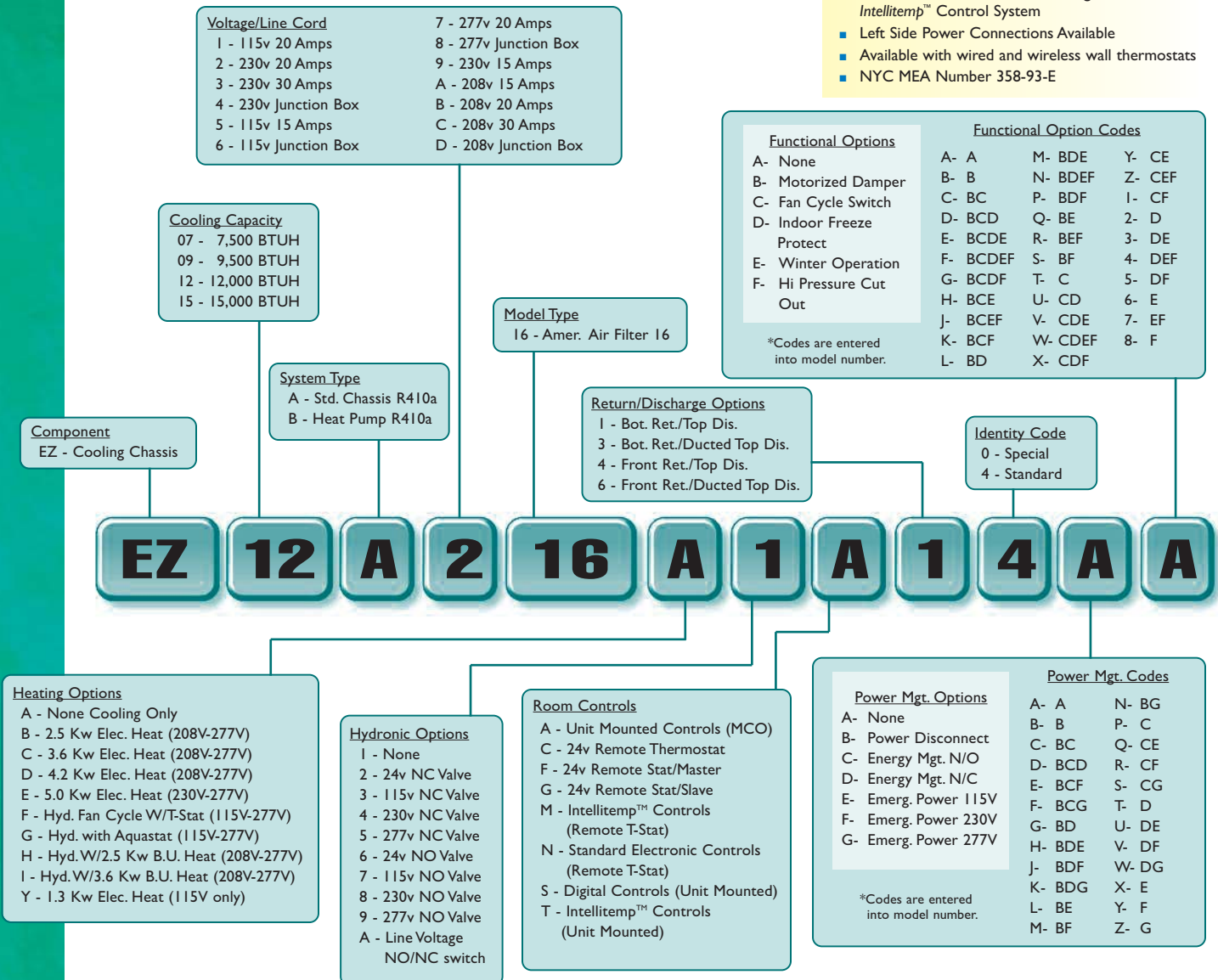
# EZ SERIES 16

## Replacement for the American Air Filter Series 16 (models ENR, ENH, WY & YY)

Islandaire EZ Series 16 is a replacement for the American Air Filter models of ENR, ENH, WY and YY units. Our commercial duty construction with heavy gauge galvanized steel and superior components create an efficient reliable unit. This design eliminates the need for any interior or exterior renovation. Use of the existing wall sleeve-cabinet and louver saves time and money, two very important factors in today's competitive environment! If the need does occur where the wall sleeve-cabinet and/or louver needs to be replaced, we manufacture these accessories as well.

### FEATURES

- Proudly Made in the U.S.A.
- ETL listed products
- Superior Energy Efficiency Ratios (EERs)
- Commercial Duty Construction with Heavy Gauge Galvanized Steel
- Designed for exact replacement of existing sleeve opening
- Energy Efficient Rotary Compressors
- P.S.C. Evaporator and Condenser Motors
- High-Efficiency Refrigeration Coils Used to Provide Superior Heat Transfer
- Units Available as Cooling only, Cooling with Electric Heat, Cooling with Hydronic Heat, or Heat Pumps
- Custom Options Available
- Available with State-of-the-Art Digital *Intellitemp™* Control System
- Left Side Power Connections Available
- Available with wired and wireless wall thermostats
- NYC MEA Number 358-93-E



\*Specifications are subject to change due to ongoing product development.



## MODELS

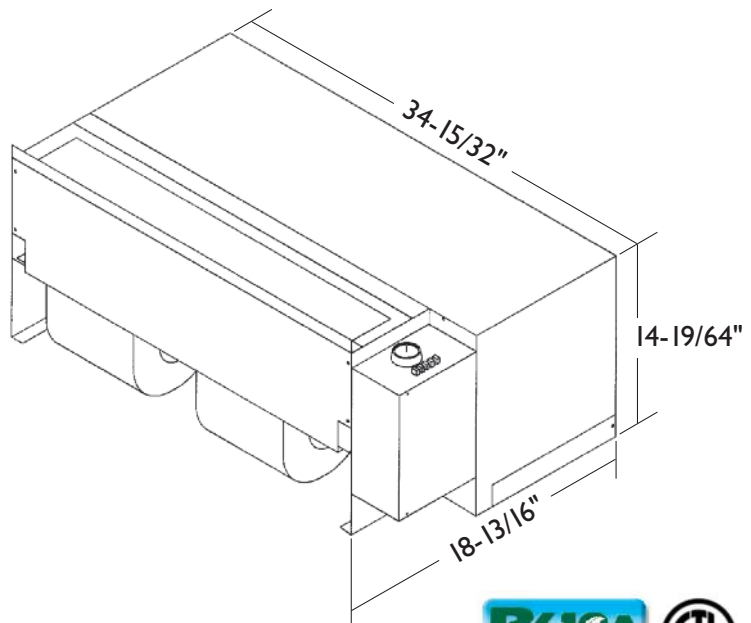
	EZ07				EZ09				EZ12				EZ15		
	115	230	208	277	115	230	208	277	115	230	208	277	230	208	277
<b>BTUH COOLING</b>	7,000	7,000	6,800	7,000	9,500	9,500	9,300	9,500	12,200	12,200	12,000	12,200	15,000	14,800	15,000
<b>AMPS</b>	6.76	3.30	3.70	2.81	8.76	4.38	4.85	3.64	11.66	5.83	6.45	4.84	7.99	8.9	6.63
<b>WATTS COOLING</b>	731	723	723	731	945	986	986	945	1,247	1,328	1,328	1,247	1,768	1,768	1,671
<b>EER</b>	9.58	9.68	9.41	9.58	10.05	9.63	9.43	10.05	9.78	9.19	9.04	9.78	8.48	8.37	8.98
<b>CFM HIGH</b>	340	340	320	340	400	400	380	400	400	400	380	400	460	440	460
<b>CFM LOW</b>	260	260	240	260	260	260	240	260	340	340	320	340	340	320	340
<b>BTUH HEATING</b>	7,100	7,100	6,900	7,100	9,300	9,300	9,100	9,300	11,400	11,400	11,200	11,400	14,300	14,200	14,800
<b>WATTS HEATING</b>	751	749	749	751	884	864	864	884	1,281	1,258	1,258	1,281	1,646	1,646	1,715
<b>C.O.P.</b>	2.77	2.78	2.70	2.77	3.09	3.16	3.09	3.09	2.61	2.66	2.61	2.61	2.55	2.53	2.53

Heating Option	Voltage (1)	Wattage	B.T.U.s (2)	Amps (3)
B	208	2,050	7,000	10.46
	230	2,500	8,535	11.47
	277	2,500	8,535	9.63
C	208	2,950	10,070	14.78
	230	3,600	12,290	16.25
	277	3,600	12,290	13.60
D	208	3,433	11,720	17.10
	230	4,200	14,330	18.86
	277	4,200	14,330	15.76
E	208	4,100	14,000	20.31
	230	5,000	17,070	22.34
	277	5,000	17,070	18.65

(1) Voltage is Single Phase, Alternating Current and R.M.S. (2) Heating Capacity (B.T.U./Hr.) based on indoor blower motor and heating elements. (3) Amp values are a combination of indoor blower motor and heating elements.

Line Voltage	Maximum Amperage	Wall Socket Configuration	Receptacle Number	Electrical Heat Options
115	16		NEMA 5-20R	N/A
208/230	12		NEMA 6-15R	N/A
208/230	16		NEMA 6-20R	2.5 - 3.6
208/230	24		NEMA 6-30R	4.2 - 5.0
277	16		NEMA 7-20R	2.5 - 5.0

Heating capacities specified in accordance with ARI standard 380-82 at conditions of 47°F VWB outdoor and 70°F DB/60°F WB indoor. Wattage, Amperage, COP, EER listings include compressor, evaporator motor and condenser fan motor. Cooling capacities specified in accordance with ARI standard 380-82 at conditions of 95°F DB/75°F WB outdoor and 80°F DB/67°F WB indoor.



# EZ SERIES 16

## Unit Accessories

### WALL SLEEVE/CABINETS

PART NUMBER	DESCRIPTION	APPROX. WT.	DIMENSIONS		
			DEPTH	WIDTH	HEIGHT
2400124-00	EZ16 Sleeve-Cabinet, w/o Louver, Long, Hydronic Heat	50 lbs.	20.875"	41.50"	16.00"
4080247-00	EZ16 Sleeve-Cabinet, w/ Louver, Short, Electric Heat	50 lbs.	20.875"	41.50"	16.00"
4080348-00	EZ16 Sleeve-Cabinet, w/o Louver, Short, Electric Heat	50 lbs.	20.875"	41.50"	16.00"
4080484-00	EZ16 Front Panel, Short	12 lbs.	1.250"	41.50"	16.00"
4080517-00	EZ16 Front Panel, Long	12 lbs.	1.250"	41.50"	16.00"

### HYDRONIC COILS

PART NUMBER	DESCRIPTION	APPROX. WT.	DIMENSIONS		
			LENGTH	WIDTH	HEIGHT
6030135	EZ16 Hydronic Coil without Vent	15 lbs.	32.625"	6.00"	1.062"
6030148	EZ16 Hydronic Coil with Vent	15 lbs.	33.442"	6.00"	0.750"

### LOUVERS

PART NUMBER	DESCRIPTION	APPROX. WT.	DIMENSIONS		
			DEPTH	WIDTH	HEIGHT
6070043	EZ16 Exterior Architectural Louver, Long	8 lbs.	1.063"	41.00"	15.50"
6070066	EZ16 Exterior Architectural Louver, Short	8 lbs.	1.125"	37.132"	15.50"

### THERMOSTATS

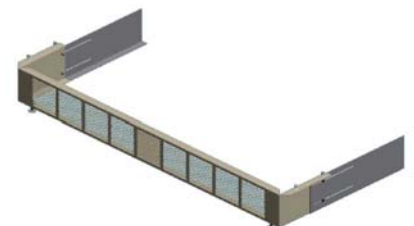
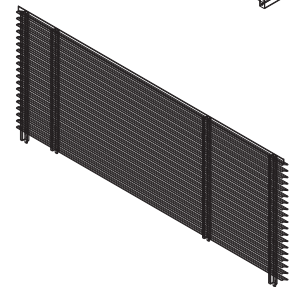
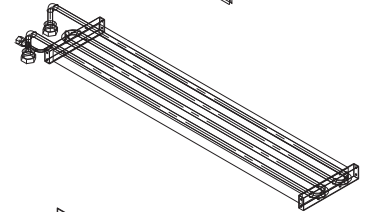
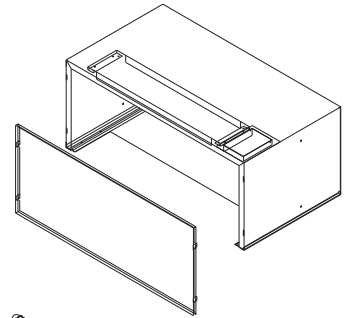
PART NUMBER	DESCRIPTION	APPROX. WT.	FEATURES		
			CONNECTION	STAGE	DISPLAY
6040523	Islandaire Non-Programmable Thermostat	3 lbs.	Wired	Single	Horizontal
6040730	White-Rogers Programmable 5/2 days Thermostat	3 lbs.	Wired	Single	Horizontal
6040942	Islandaire Programmable Thermostat	3 lbs.	Wired	Single	Horizontal
6040824	Islandaire EZ Touch IR Non-Program Thermostat	3 lbs.	Infrared	Single	Vertical
6040935 - 6040936	Telkonet EcoWave Thermostat Kit	5 lbs.	Wireless	Single	Vertical

### FILTERS

PART NUMBER	DESCRIPTION	APPROX. WT.	DIMENSIONS		
			DEPTH	WIDTH	HEIGHT
6080015	EZ16 Filter, Standard	2 lbs.	.250"	30.750"	7.000"
6080024	EZ16 Filter, Custom	2 lbs.	.250"	34.625"	7.375"

### SUBBASES

PART NUMBER	DESCRIPTION	APPROX. WT.	DIMENSIONS		
			DEPTH	WIDTH	HEIGHT
4080776	EZ16 Subbase Assembly, Long	2 lbs.	5.25"	41.50"	7.25"



**Ask your salesman about  
our DR. PTAC option!\***



\*100% conditioned  
fresh air

**NEW!  
Vertical Unit Available**

For New Construction and  
as Replacement for:

**GE AZ Vertical, Friedrich Vert-I-Pak  
and First Company SPX**



22 Research Way, East Setauket, NY 11733 • 1-800-886-2759  
e-mail: [sales@islandaire.com](mailto:sales@islandaire.com) • [www.islandaire.com](http://www.islandaire.com)  
Ph: 631-471-2900 • Fax: 631-471-2913



Locally Represented By: